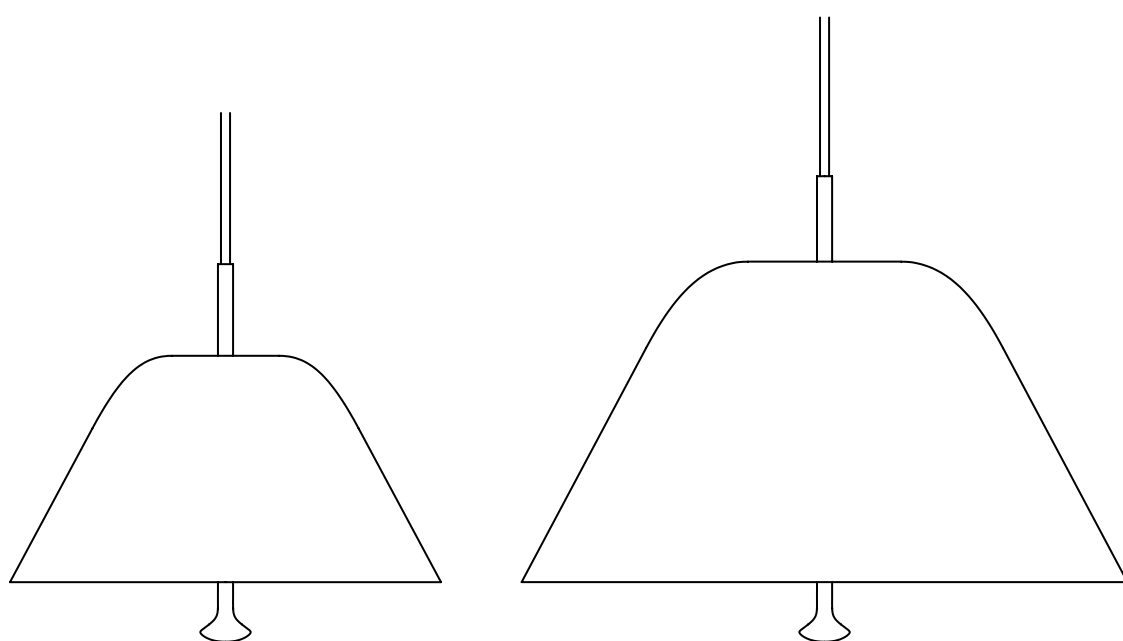


# Levitate Pendant 28 & 40

*by Afteroom*



## **Congratulations**

Congratulations on your new lamp designed by Afteroom. We hope you will enjoy using this lamp and follow these instructions to ensure correct installation. These instructions are provided for your safety. It is important that the instructions are read carefully and completely before assembling.

## **This Assembly Instructions cover below items**

Levitate Pendant, 28

Levitate Pendant, 40

## **Component overview and technical details**

1 pc. Levitate Pendant, 28 with aluminum shade, glass diffuser, solid brass, 2 pcs lamp holder for E12 (not included) max 25 Watt, 4 m black soft PVC cord and black ABS canopy.

1 pc. Levitate Pendant, 40 with aluminum shade, glass diffuser, solid brass, 2 pcs lamp holder for E26 (not included) max 25 Watt, 4 m black soft PVC cord and black ABS canopy.

All the electrical components are either UL or ETL certified.

## **Care and maintenance**

Please see care instructions on [www.menuspace.com](http://www.menuspace.com)

**BE SURE THE ELECTRICITY TO THE WIRES YOU ARE WORKING ON IS SHUT OFF; EITHER THE FUSE IS REMOVED OR THE CIRCUIT BREAKER IS TURNED OFF.**

Please check the specific rules for electrical installation work in your country. Some countries may require an authorised electrical contractor.

## **IMPORTANT**

If you have any problems regarding the electrical installation, contact a certified electrician. Always shut off power to the circuit before starting installation work. The external flexible cable or cord of this luminaire cannot be replaced. If the cord is damaged, the luminaire shall be destroyed.

## **WARNINGS**

Dispose of plastic bag from packaging and do not allow children to play with it.

- Keep product well out of children's reach.
- Do not attempt installation of product if you are not competent to do so yourself.
- Consult a professionally qualified electrician if in any doubt.

**CAUTION - RISK OF ELECTRIC SHOCK. DO NOT USE IF OUTER LAMP ENVELOPE IS DAMAGED OR BROKEN.**

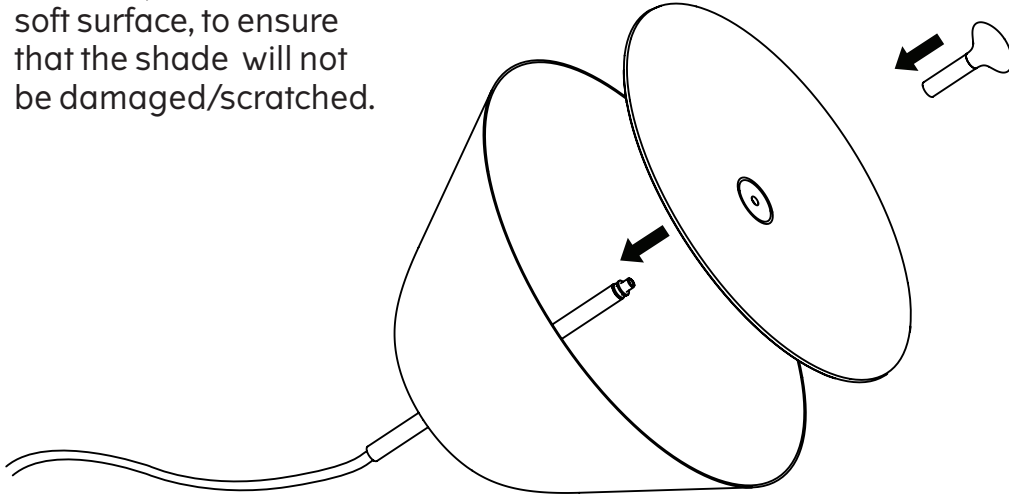




1

**NOTE!**

Please ensure that all assembly is done on a soft surface, to ensure that the shade will not be damaged/scratched.

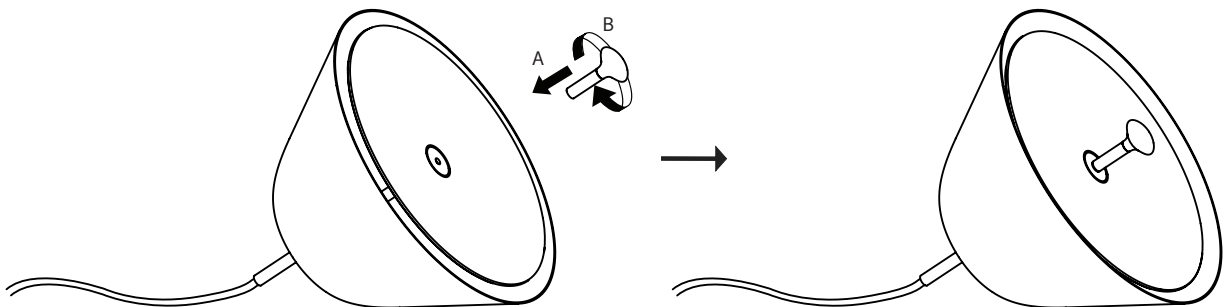


2

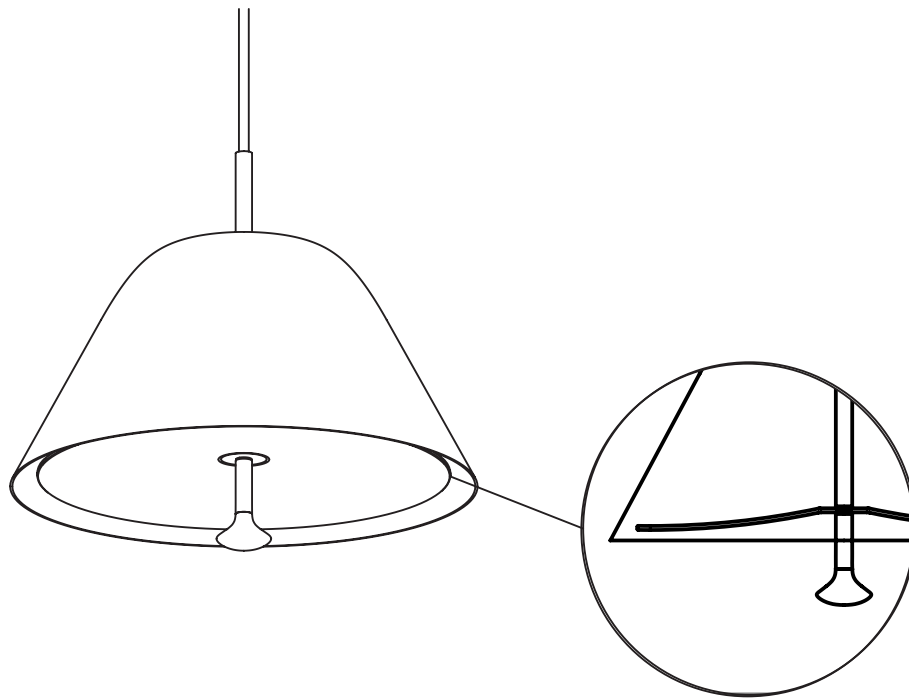
**NOTE!**

Do **NOT** overtighten the screw.

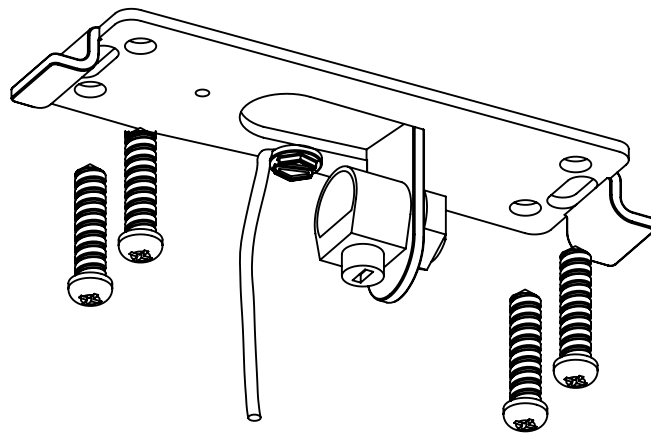
If overtighten, the glass will break.



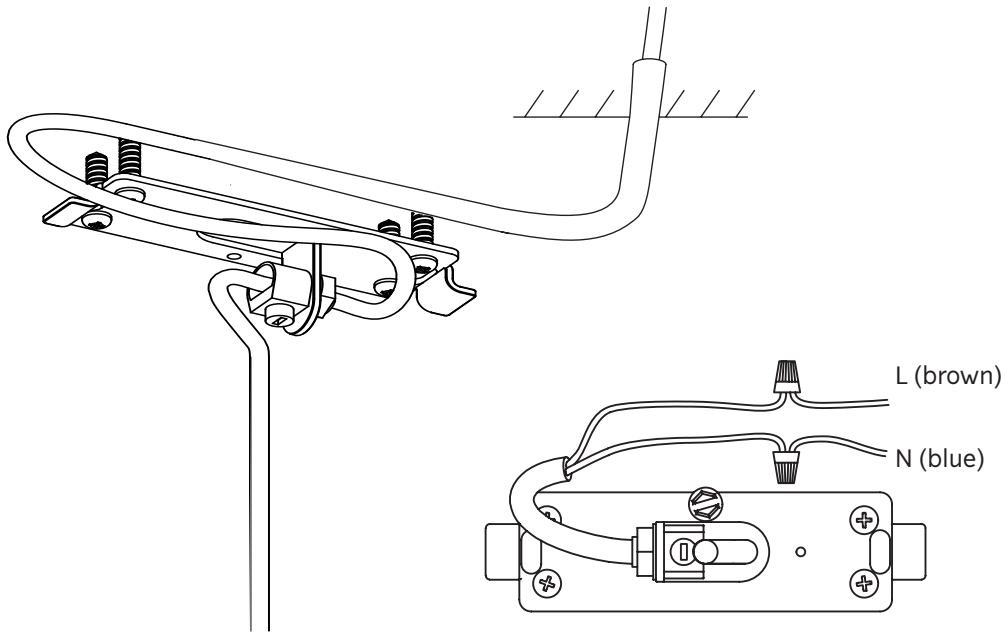
3



4



5



6

