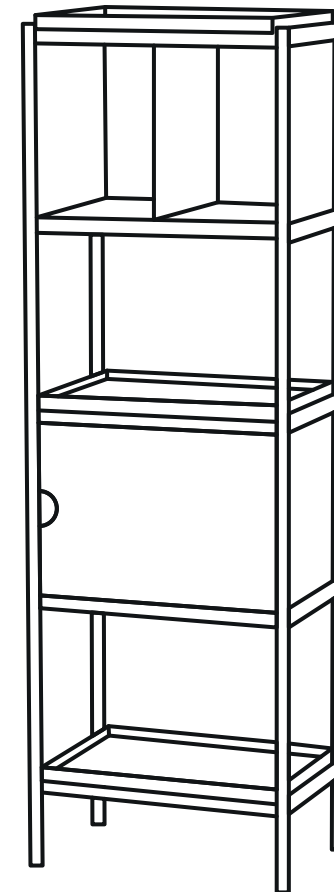


**POLSPOTTEN**

**instruction manual**



---

## **Toss Tall Cabinet**

design by **POLSPOTTEN studio**  
**300-040-022,023,024**

“ Thank you for choosing a POLSPOTTEN product.  
To ensure safe and satisfactory use of this product, please  
carefully read the below instructions beforehand. ”

## general information

This cabinet is made of steel, with different metal shelves.  
The frame and shelves are powder coated.  
The cabinet is made for indoor use only.

## care instructions

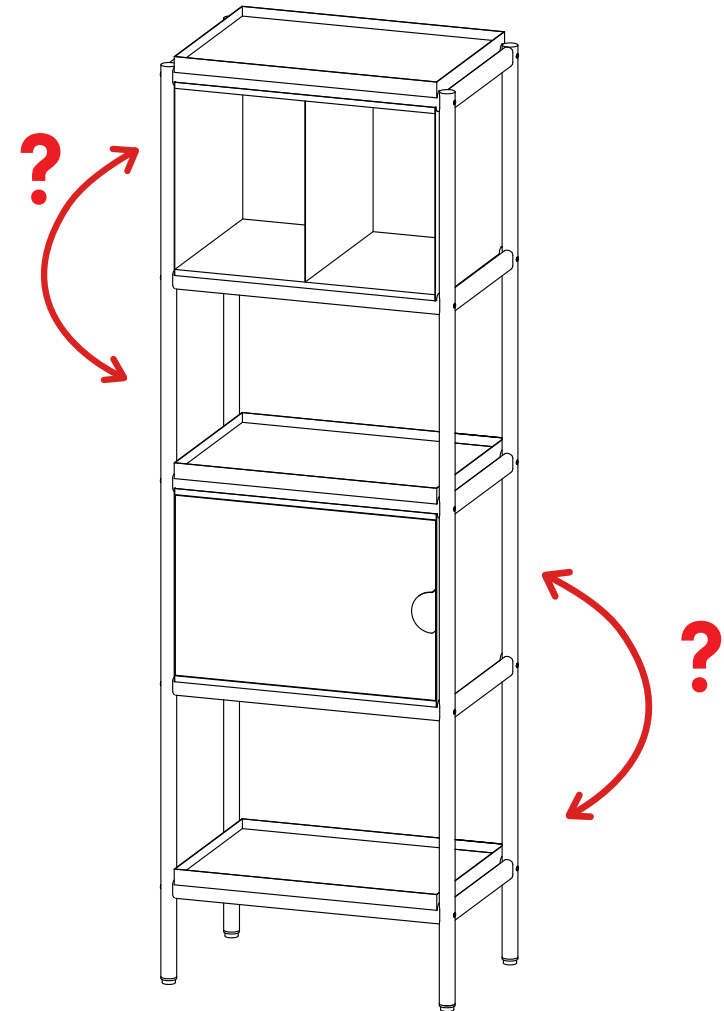
- Clean by wiping with a damp cloth and immediately wipe dry with a soft dry cloth.
- Avoid contact with abrasive, alcohol and solvent based substances or cleaning agents, they can damage the surface.
- The use of furniture polish or sprays is neither necessary nor recommended.
- Do not strike with hard or sharp items.

## safety note

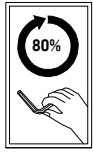
- Always completely lift the furniture when moving it. Handle and move it with care as improper handling may cause damage or injury.
- Heavy/larger furniture pieces should be moved by two persons.
- Ensure the furniture is always placed level on its legs.
- Do not stand, climb or jump on the furniture.
- Please keep these instructions for future reference.

## Toss Cabinet done! Or not?

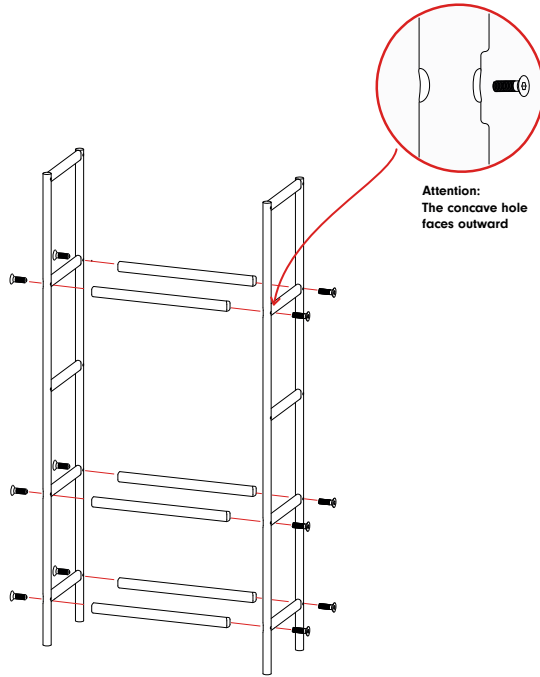
“ The Toss Cabinet is designed in  
a way to give you the possibility  
to rearrange the shelves and storage  
cubes to your own preference .  
Give it a try! ”



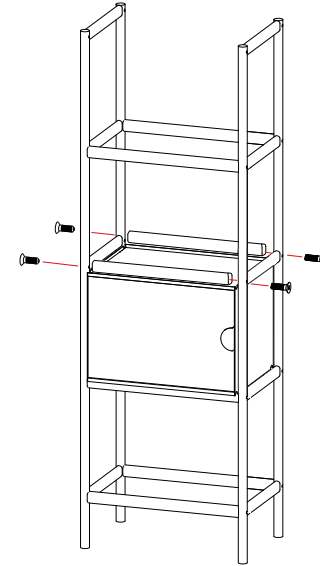
## step 1



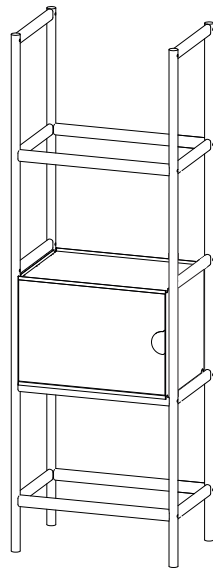
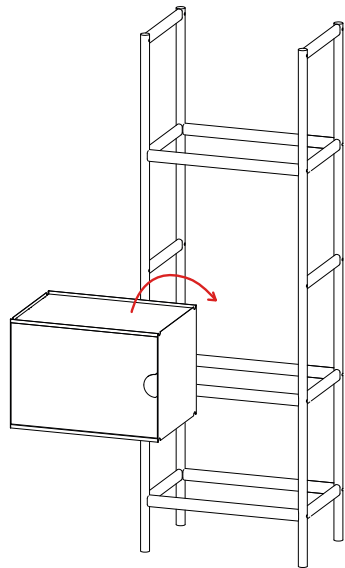
“Do NOT tighten all the bolts to full tension, the beams need to be able to move a little bit.”



## step 3



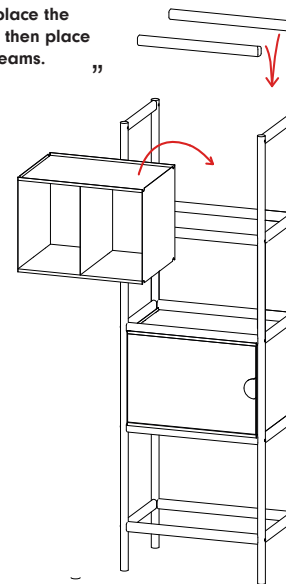
## step 2



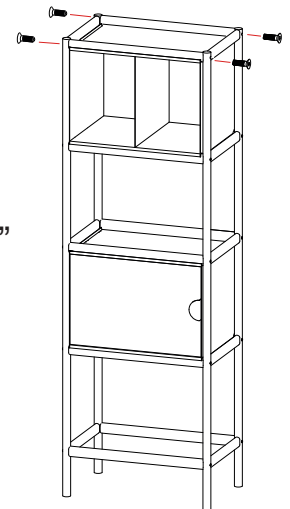
“See next page  
for step 3, 4, 5 & 6.”

## step 4 & 5

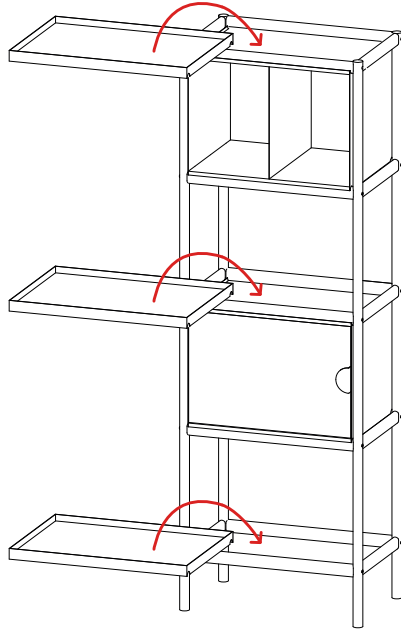
“First place the  
cube, then place  
the beams.”



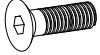

“When the last  
beams are  
placed, then  
you may tighten  
ALL the bolts  
to full tension.”

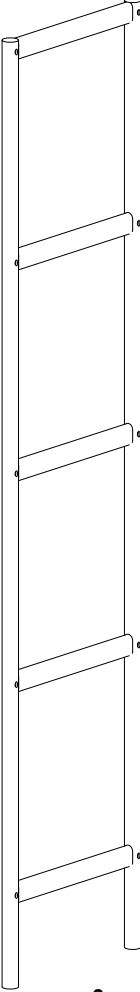

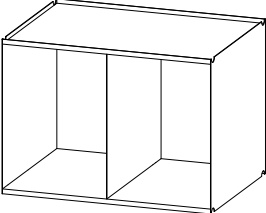
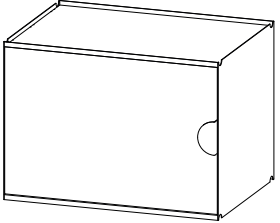



# step 6



# components & parts

-  **20x M6 bolt**
-  **1x Allen Key**

-  **x2**
-  **x3**
-  **x1**
-  **x1**
-  **x10**