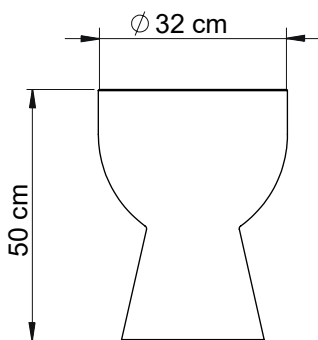


Stool tam tam

500-030-010 Stool tam tam



The collaboration between our iconic tam tam silhouette and craftsmanship exudes an organic feel with a modern aesthetic. For use as a side table, drinks table, step or, really whatever you like. But, be sure to treat the tam tam well. If you're good to your tam tam, your tam tam will be good to you.



Design by
pols potten studio 2004

About the designer
This item is designed in our very own pols potten studio.

Category
Furniture - stools

Environment
Outdoor proof

Preassembled
N/A

Material & Finish
Hand carved DIMB wood

Max loading capacity (stools)
150 kg

Gliders
No

Cleaning & Care
Care- and maintenance instructions can be downloaded on the product page of this item at webshop.polspotten.com or contact your account manager for more specific cleaning & care information.

Spare parts
No

Packaging
Packed in one carton box 5ply.
Size: 38 x 38 x 51 cm

Made-to-order
Please contact your account manager for a specific custom made request.

Test & Certifications
All routine tests and visual inspections have been made conform to the;
NEN-EN 16139:2013
size, strength, durability and stability according to test methods
NEN-EN 1728:2012, NEN-EN 1335-2, NEN-EN 1335-3:2009 en NEN-EN 1022.
(11-11-2020)

Downloads
3D files, mood images and packshots are available at the product page of the item at webshop.polspotten.com