

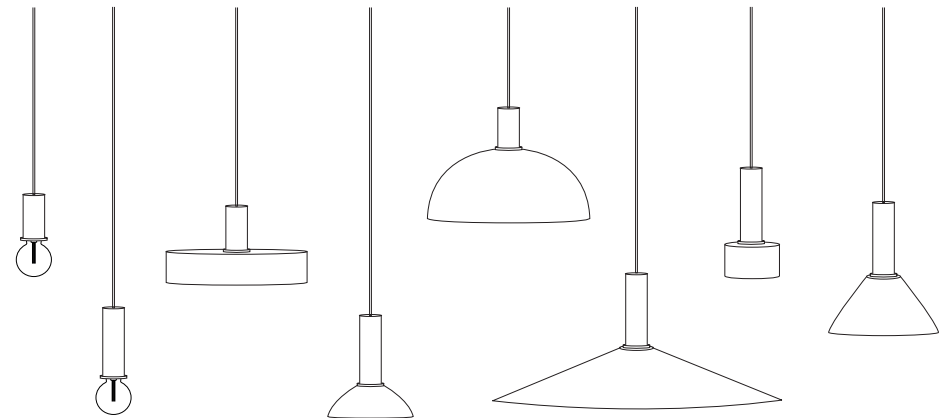
COLLECT LIGHTING

ASSEMBLY MANUAL

5106 - 5108 - 5110 - 5112 - 5116 - 5129 - 5131 - 100113-502

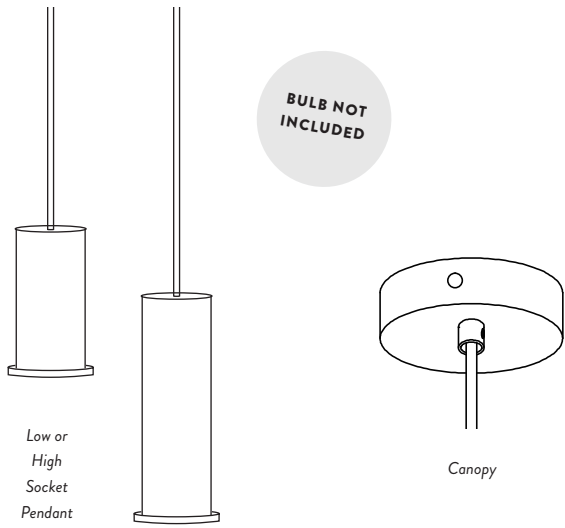
5107 - 5109 - 5111 - 5113 - 5117 - 5130 - 5132 - 100115-502

fermliving.com

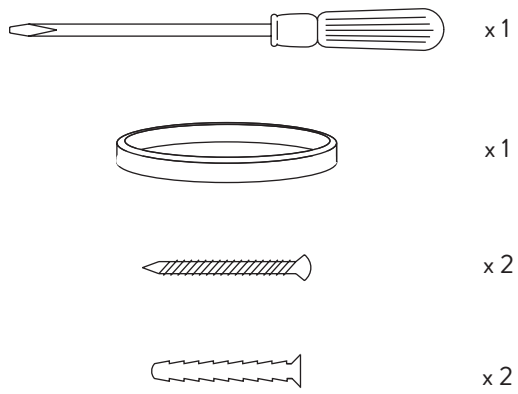


ferm
L I V I N G

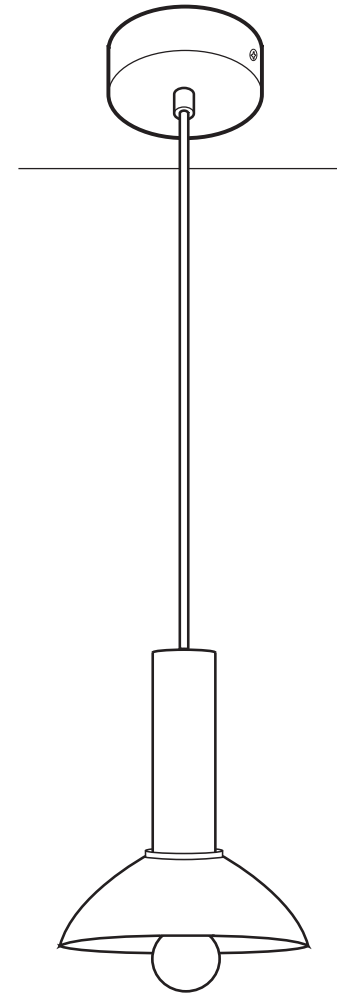
CONTENT OF THE BOX



In the box, you will find one of the Collect Lighting socket pendants with a matching canopy - and:

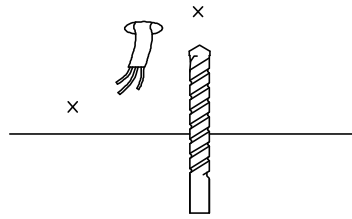


ASSEMBLY PROCESS



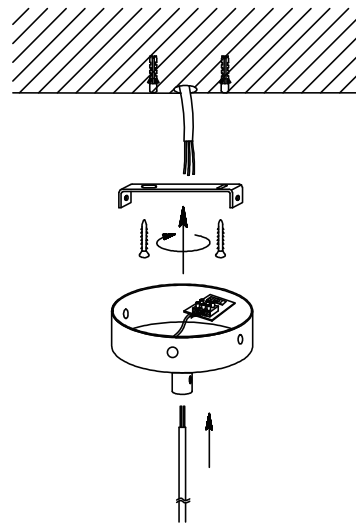
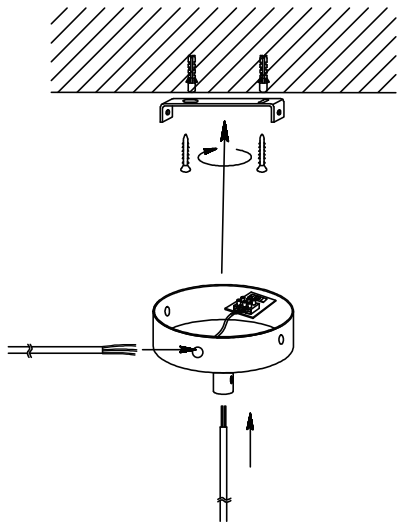
A

ASSEMBLY PROCESS



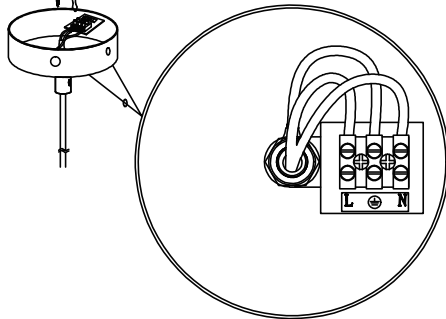
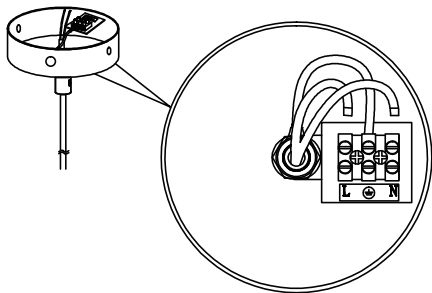
OPTION B1

OPTION B2



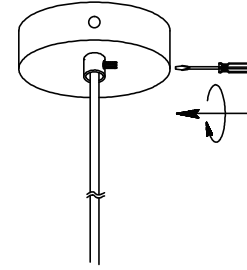
C

D



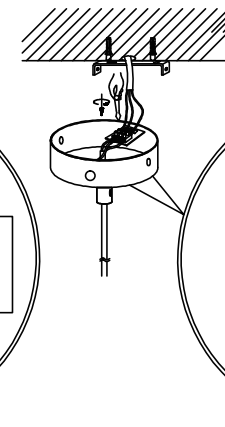
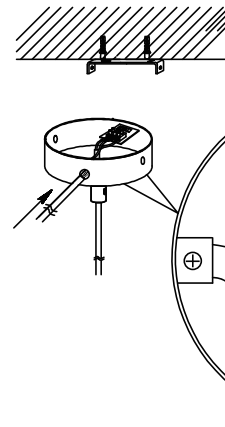
E

ASSEMBLY PROCESS

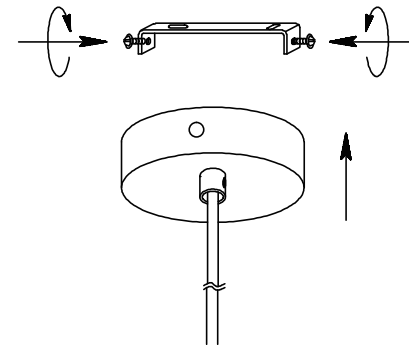


OPTION F1

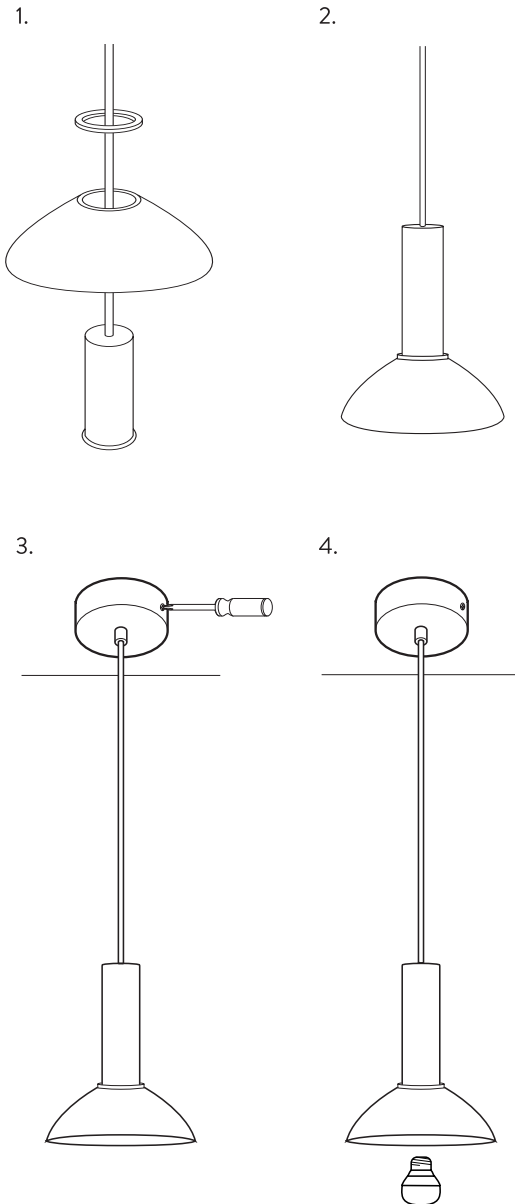
OPTION F2



G



ASSEMBLY PROCESS



LAMPS RATING & BULB SPECIFICATION

| | |
|-----------------------------------|---|
| Voltage : | 220-240V |
| Frequency : | 50Hz |
| IP Rating : | IP20 |
| Classification : | Class I |
| Socket : | E27 socket base. |
| Recommended light source : | Max. 25 W / CFL Max. 13 W LED G95 or G125 |
| Energy efficiency : | The luminaire is compatible with bulb of the energy classes: A++-E. |
| Dimmable : | Yes, when using a dimmable bulb |
| Certification : | CE approved: This product has been assessed and complies with the essential requirements of the relevant European directives. |

| | |
|------------------------------|---|
| Assembly : | Due to earth connection (Class I) mounting of this lamp should be carried out by a licenced electrician. For option 1, the cable need to be VDE certified H03VV-F3*0.75MM or higher class with diameter 6.2 mm max. |
| Attention : | If the external flexible cable or cord of this luminaire is damaged, it shall be exclusively replaced by the manufacturer or his service agent or a similar qualified person in order to avoid a hazard. |
| Care & cleaning : | Clean with a soft dry cloth. Always switch off the electricity before cleaning. |

