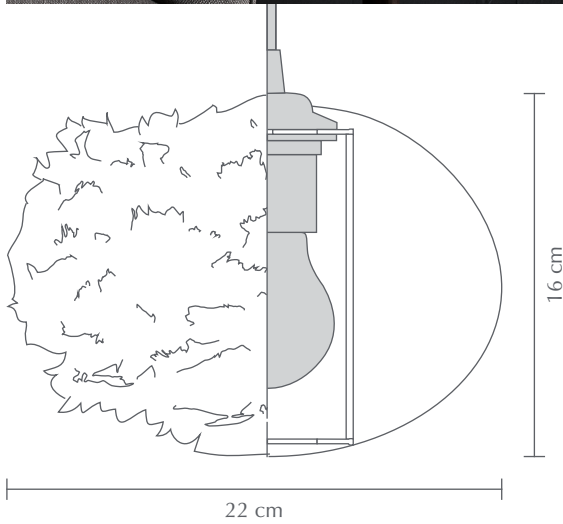


EOS MICRO

Designed by Soren Ravn Christensen



Pendant, floor & table lamp
Compatible with E27



Flip 180°



Easily cleaned with hairdryer



DIMENSIONS

Ø: 22 cm
H: 16 cm



MATERIAL

Approx 500 goose feathers, fabric and steel



WEIGHT INCL. PACKAGING

330 g



LIGHT SOURCE

E27 - max 15W LED (not included)



PACKAGING

Gift box dimensions (W×H×D): 22,8 x 22,8 x 7,5 cm



ASSEMBLY TIME

5 min - video guide at umage.com



MEDIA KIT

Photos, 3D models, 2D drawings
Download at umage.com



ORDERING INFORMATION

| | |
|-----------------------|-------|
| Eos micro white | #2091 |
| Eos micro light grey | #2123 |
| Eos micro light brown | #2125 |

Colour variations



White



Light grey



Light brown



EOS MICRO

Designed by Soren Ravn Christensen



ENJOY THE LITTLE THINGS IN LIFE

With its 'petite' allure and cute charm, the Eos micro is the smallest version of the Eos family of lampshades. Don't be tricked by its dainty look – this goose feathers lampshade is definitely a big design, perfect for making a subtle statement, yet a lasting image about any interior décor.

"Not only that the now famous Eos feather lamp is the proof of how tactile products can make a difference, but by making the Eos lamp tiny, small and round, the Eos micro becomes even more cuddly, so you just have to touch and hold it in your arms. Place it anywhere close by and it can provide you with just the right ambience and cosiness for your romantic evening. It's instant love!", thinks Soren Ravn Christensen, Founder and Chief Creative Developer.

An epitome of beauty and elegance, the Eos micro will be an enchanting centrepiece on the coffee table or desk, as well as a great addition to any cosy corner or little space missing a distinctive look.

For a creative and playful touch, the Eos micro lamps can be used in exquisite pairs, or they could be mixed and matched with different other sizes and colours of the Eos lampshade family to obtain beautiful decorative clusters.

We take the story of Scandinavian design further than ever before by combining aesthetics, simplicity and functionality and infusing it with thoughtful craftsmanship and environmental care. Our designs are deeply rooted in the diverse urban landscape and raw nature surrounding our home in the heart of Copenhagen, Denmark. Having begun our journey in November 2008, we are celebrating our 10th anniversary this year by constantly growing and expanding the conventions around contemporary design.

Find more info on our website umage.com

RECOMMENDED ACCS.

| | |
|-------------------------|-----------------------|
| Cord set | #4005 / #4006 |
| Tripod floor | #4015 / #4016 |
| Tripod table | #4021 / #4022 |
| Tripod base | #4053 / #4054 |
| Cannonball | #4031 / #4032 |
| Cannonball cluster 2 | #4089 / #4091 |
| Cannonball cluster 3 | #4090 / #4092 |
| Champagne floor | #4035 / #4036 |
| Champagne table | #4045 / #4046 / #4052 |
| Willow single | #4110 / #4111 |
| Willow double | #4130 / #4131 |
| Willow mini | #4150 / #4151 |
| Rosette | #4144 / #4145 |
| Idea 6W 60 mm LED bulb | #4026 |
| Idea 6W 80 mm LED bulb | #4033 |
| Idea 2W 45 mm LED bulb | #4039 |
| Idea 13W 70 mm LED bulb | #4136 |



Download the UIMAGE Unfold at Home App to help you choose the perfect lamp



UNFOLD
AT HOME


UIMAGE