

# Audo

COPENHAGEN



MERKUR DINING CHAIR  
Designed by *Skogstad & Wærnes*



MERKUR DINING CHAIR, OAK  
Designed by *Skogstad & Wærnes*

Originally designed for the historic Oslo Stock Exchange and named after the Roman god of trade, Merkur is a contemporary remake of the archetypal dining chair, refined and elegant in its expression thanks to its considered combination of traditional craftsmanship techniques, timeless form and modern function.

PRODUCT OPTIONS



TECHNICAL SPECIFICATIONS

PRODUCT TYPE  
Dining chair

COLLI  
1

ENVIRONMENT  
Indoor

DIMENSIONS  
H: 78 cm / 30,7"  
SH: 46 cm / 18,1"  
W: 46 cm / 18,1"  
D: 52 cm / 20,44"  
SD: 42 cm / 16,5"

PRODUCTION PROCESS  
The base is constructed of shaped and joined wood parts.

COLOUR  
Black (RAL 9005)  
Natural oak

GLOSS  
Gloss 8

MATERIALS  
Solid oak & plywood

WEIGHT  
4,3 kg / 9,47 lb

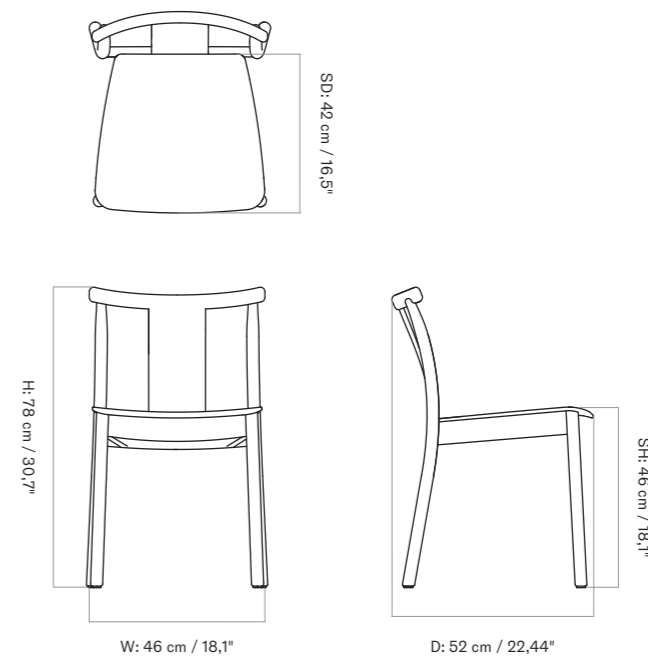
TEST  
EN16139:2013, L2

CERTIFICATIONS  
TSCA title IV compliant

PACKAGING TYPE  
Brown box

PACKAGING MEASUREMENTS  
(H × W × D)  
83 cm × 50 cm × 54 cm /  
32,67" × 19,69" × 21,25"

MATERIALS & MAINTENANCE  
Please visit [audocph.com](http://audocph.com) for materials, care and maintenance instructions.





MERKUR DINING CHAIR, SEAT UPHOLSTERED  
Designed by *Skogstad & Wærnes*

Originally designed for the historic Oslo Stock Exchange and named after the Roman god of trade, Merkur is a contemporary remake of the archetypal dining chair, refined and elegant in its expression thanks to its considered combination of traditional craftsmanship techniques, timeless form and modern function.

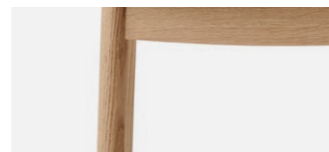
PRODUCT OPTIONS

*Seat*

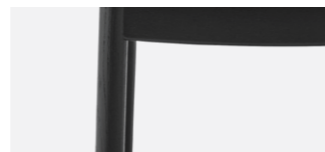


UPHOLSTERED

*Solid oak base*



NATURAL OAK



BLACK OAK

*Spec options*

Available in fabrics from our upholstery programme. Standard lead times apply.

For custom upholstery, please refer to the guiding textile/leather consumption:  
COM: 0,59 m / 0,649 yds  
COL: 0,88 m<sup>2</sup> / 9,4776 sqft

Prices excl. custom upholstery are equal to Price Category 1 Textile or Leather. Contact Sales support for approval of custom upholstery and to place your order.

The above textile consumption is only valid for textile rolls with a width equal to or greater than 140 cm. For smaller textile rolls, please contact Sales Support for guidance. For textile with pattern, please expect a higher usage for correct pattern fitting. Please contact Sales Support for guidance.



TECHNICAL SPECIFICATIONS

PRODUCT TYPE  
Dining chair

COLLI  
1

ENVIRONMENT  
Indoor

DIMENSIONS  
H: 78 cm / 30,7"  
SH: 46 cm / 18,1"  
W: 46 cm / 18,1"  
D: 52 cm / 20,44"  
SD: 42 cm / 16,5"

PRODUCTION PROCESS  
The base is constructed of shaped and joined wood parts. The final process is to upholster according to a chosen material.

COLOUR  
*Seat with upholstery*  
Dependent upon selected upholstery

*Base*  
Black (RAL 9005)  
Natural oak

GLOSS  
Gloss 8

MATERIALS  
*Seat with upholstery*  
Plywood, foam and upholstery

*Base*  
Solid oak & plywood

WEIGHT  
5,3 kg / 11,68 lb

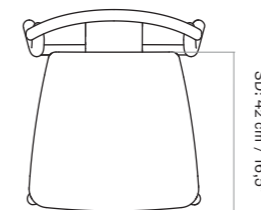
TEST  
EN16139:2013, L2

CERTIFICATIONS  
TSCA title IV compliant

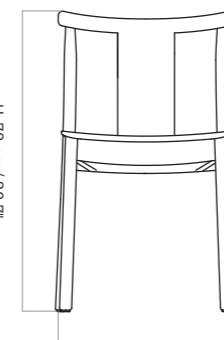
PACKAGING TYPE  
Brown box

PACKAGING MEASUREMENTS  
(H x W x D)  
83 cm x 50 cm x 54 cm /  
32,67" x 19,69" x 21,25"

MATERIALS & MAINTENANCE  
Please visit [audocph.com](http://audocph.com) for materials, care and maintenance instructions.

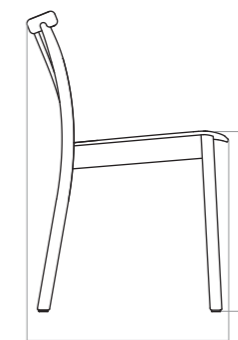


SD: 42 cm / 16,5"



H: 78 cm / 30,7"

W: 46 cm / 18,1"



SH: 46 cm / 18,1"

D: 52 cm / 22,44"



MERKUR DINING CHAIR W/ARMREST, OAK  
Designed by *Skogstad & Wærnes*

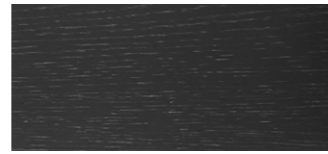
Originally designed for the historic Oslo Stock Exchange and named after the Roman god of trade, Merkur is a contemporary remake of the archetypal dining chair, refined and elegant in its expression thanks to its considered combination of traditional craftsmanship techniques, timeless form and modern function.

PRODUCT OPTIONS

Shell



NATURAL OAK



BLACK OAK



TECHNICAL SPECIFICATIONS

PRODUCT TYPE  
Dining chair

COLLI  
1

ENVIRONMENT  
Indoor

DIMENSIONS  
H: 78 cm / 30,7"  
SH: 46 cm / 18,1"  
W: 46 cm / 18,1"  
D: 52 cm / 20,44"  
SD: 42 cm / 16,5"  
AH: 66 cm / 25,98"

PRODUCTION PROCESS  
The base is constructed of shaped and joined wood parts.

COLOUR  
Black (RAL 9005)  
Natural oak

GLOSS  
Gloss 8

MATERIALS  
Solid oak & Plywood

WEIGHT  
5.3 kg / 11.68 lb

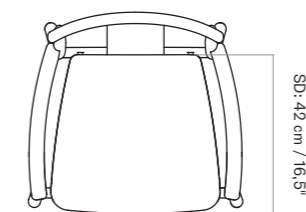
TEST  
EN16139:2013, L2

CERTIFICATIONS  
TSCA title IV compliant

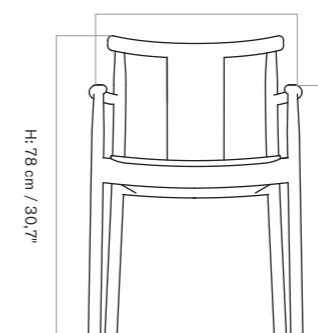
PACKAGING TYPE  
Brown box

PACKAGING MEASUREMENTS  
(H x W x D)  
83 cm x 50 cm x 54 cm /  
32,67" x 19,69" x 21,25"

MATERIALS & MAINTENANCE  
Please visit [audocph.com](http://audocph.com) for materials, care and maintenance instructions.

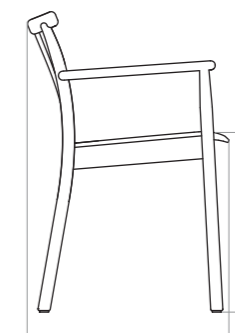


W: 46 cm / 18,1"



H: 78 cm / 30,7"

AH: 66 cm / 25,98"



SH: 46 cm / 18,1"

D: 52 cm / 22,44"



MERKUR DINING CHAIR W/ARMREST, SEAT UPHOLSTERED  
Designed by *Skogstad & Wærnes*

Originally designed for the historic Oslo Stock Exchange and named after the Roman god of trade, Merkur is a contemporary remake of the archetypal dining chair, refined and elegant in its expression thanks to its considered combination of traditional craftsmanship techniques, timeless form and modern function.

PRODUCT OPTIONS

*Seat*

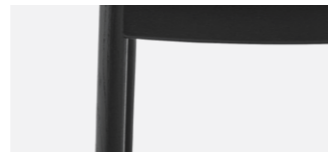


UPHOLSTERED

*Solid oak base*



NATURAL OAK



BLACK OAK

*Spec options*

Available in fabrics from our upholstery programme. Standard lead times apply.

For custom upholstery, please refer to the guiding textile/leather consumption:  
COM: 0,59 m / 0,649 yds  
COL: 0,88 m<sup>2</sup> / 9,4776 sqft

Prices excl. custom upholstery are equal to Price Category 1 Textile or Leather. Contact Sales support for approval of custom upholstery and to place your order.

The above textile consumption is only valid for textile rolls with a width equal to or greater than 140 cm. For smaller textile rolls, please contact Sales Support for guidance. For textile with pattern, please expect a higher usage for correct pattern fitting. Please contact Sales Support for guidance.



TECHNICAL SPECIFICATIONS

PRODUCT TYPE  
Dining chair

COLLI  
1

ENVIRONMENT  
Indoor

DIMENSIONS  
H: 78 cm / 30,7"  
SH: 46 cm / 18,1"  
W: 46 cm / 18,1"  
D: 52 cm / 20,44"  
SD: 42 cm / 16,5"  
AH: 66 cm / 25,98"

PRODUCTION PROCESS  
The base is constructed of shaped and joined wood parts. The final process is to upholster according to a chosen material.

COLOUR  
*Seat with upholstery*  
Dependent upon selected upholstery

*Base*  
Black (RAL 9005)  
Natural oak

GLOSS  
Gloss 8

MATERIALS  
*Seat with upholstery*  
Plywood, foam and upholstery

*Base*  
Solid oak & plywood

*Armrest*  
Solid oak & plywood

WEIGHT  
6,3 kg / 13.89 lb

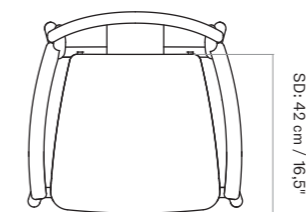
TEST  
EN16139:2013, L2

CERTIFICATIONS  
TSCA title IV compliant

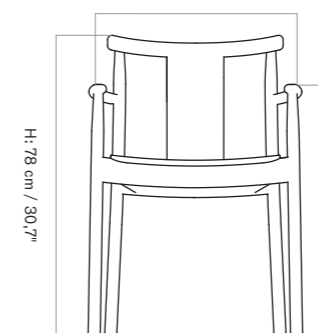
PACKAGING TYPE  
Brown box

PACKAGING MEASUREMENTS  
(H x W x D)  
83 cm x 50 cm x 54 cm /  
32,67" x 19,69" x 21,25"

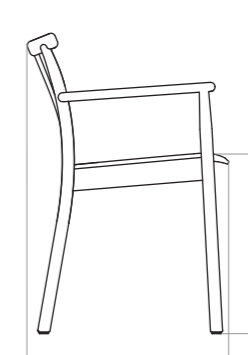
MATERIALS & MAINTENANCE  
Please visit [audocph.com](http://audocph.com) for materials, care and maintenance instructions.



W: 46 cm / 18,1"



SH: 46 cm / 18,1"



D: 52 cm / 22,44"