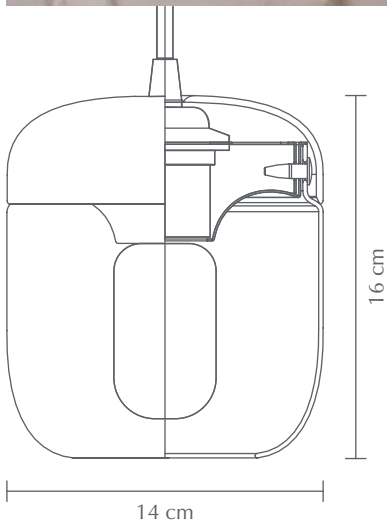


# ACORN

Designed by Jacob Rudbeck



Pendant  
Compatible with E27



## DIMENSIONS

Ø: 14 cm  
H: 16 cm



## MATERIAL

Glass, Silicone & Aluminium



## WEIGHT INCL. PACKAGING

690 g



## LIGHT SOURCE

E27 - max 15W LED (not included)



## PACKAGING

Gift box dimensions (W×H×D): 17,5 x 17,5 x 17,5 cm



## ASSEMBLY TIME

5 min - video guide at [umage.com](http://umage.com)



## MEDIA KIT

Photos, 3D models, 2D drawings  
Download at [umage.com](http://umage.com)



## ORDERING INFORMATION

Acorn black polished steel	#2081
Acorn black polished brass	#2082
Acorn black polished copper	#2083
Acorn white polished steel	#2104
Acorn white polished brass	#2105
Acorn white polished copper	#2106
Acorn smoked steel	#2214
Acorn amber brass	#2215

## Colour variations



Black  
polished steel



Black  
polished brass



Black  
polished copper



White  
polished steel



White  
polished brass



White  
polished copper



Smoked steel



Amber brass



# ACORN

Designed by Jacob Rudbeck



## RECOMMENDED ACCS.

Cord set	#4005 / #4006
Cannonball	#4031 / #4032
Cannonball cluster 2	#4089 / #4091
Cannonball cluster 3	#4090 / #4092
Rosette	#4144 / #4145
Idea 2W 45 mm LED bulb	#4039



Download the UIMAGE Unfold at Home App to help you choose the perfect lamp



UNFOLD  
AT HOME

  
UIMAGE