


WORK IN PROGRESS wall lamp

Matteo Ugolini design

year 2016

TECHNICAL SHEET - AP125 1B INT

STRUCTURE "A"

material	ceramic	
colour	white	

WALL HOLDER "G"

material	metal	
colour	polished white	

ELECTRICAL SYSTEM

socket	GU10
source	max 1x35w
energy class	from E to A++

PACKAGING

nr. of collis	1
net weight/kg	1,1
gross weight/kg	
packaging/cm	

EMISSION OF LIGHT

unidirectional

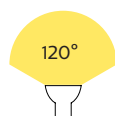


CERTIFICATION

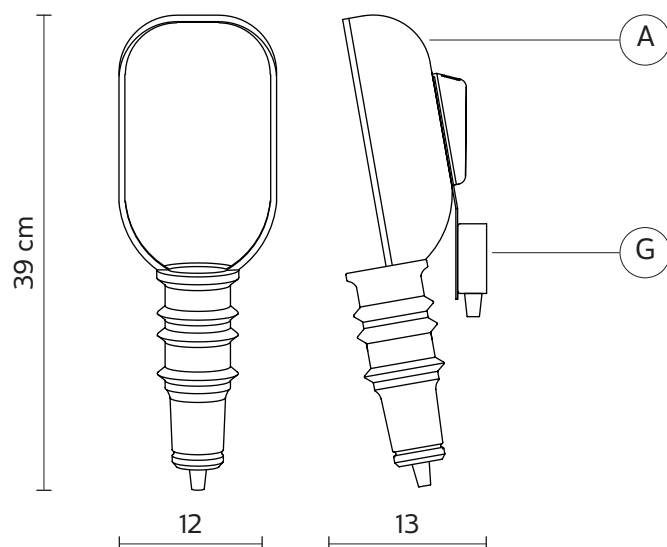
IEC	60598-1:2014
EN	60598-1:2015



ip rate	IP20
bulb	equipped



article	bulb dicroica
	GU10 LED - 5w - 400 lumen
	3000 K°



available also as single and multiple configuration