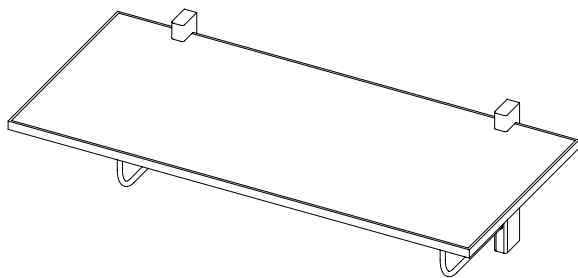
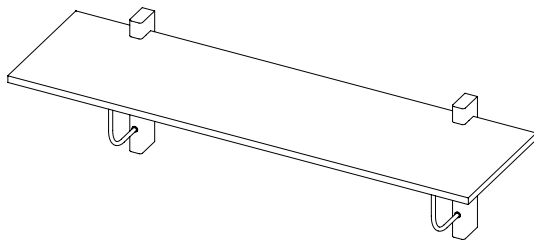
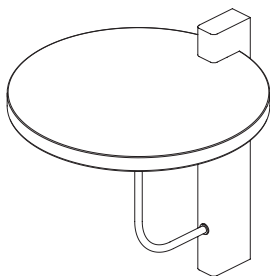


# Audo

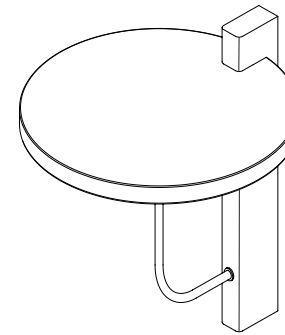
COPENHAGEN



CORBEL COLLECTION  
Designed by *Krøyer-Sætter-Lassen*

---

## Component Overview



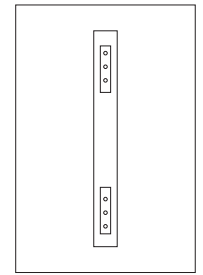
1 x Shelf Small



2 x Brackets



4 x Screws

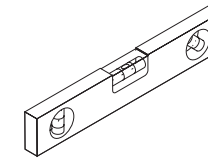


1 x Instruction

Congratulations on your CORBEL COLLECTION designed by *Krøyer-Sætter-Lassen*. We hope you will enjoy using this product and follow these instructions to ensure correct installation. These instructions are provided for your safety.

It is important that the instructions are read carefully and completely before assembling.

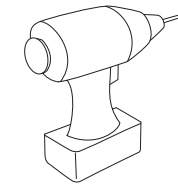
## TOOLS



1 x Spirit Level



1 x Pencil



1 x Driller

---

## *Attention!*

Use screws and wall plugs that are suitable for the walls in your home. If you are uncertain as to which types of screws/wall plugs to use, you should ask your DIY store.

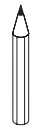
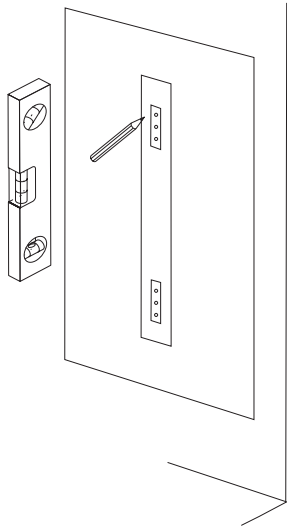
If the Corbel Shelf Small is mounted according to the assembly instruction, and the recommendations of screws and wall plugs, it can handle up to 5 kg.

---

## *Care and maintenance*

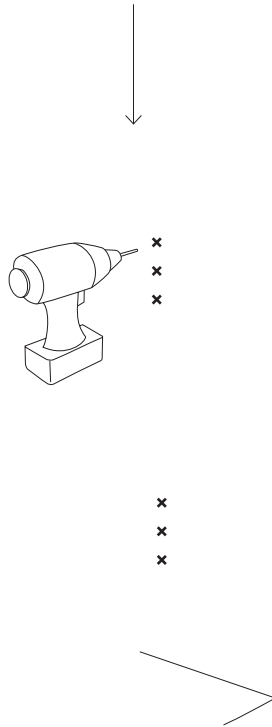
Please see care instructions on [www.audocph.com](http://www.audocph.com)

1

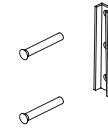
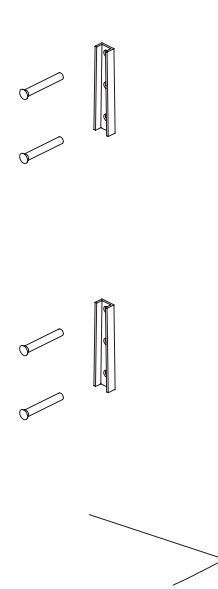


Use a pencil and our instruction paper to draw the holes for the brackets.

2



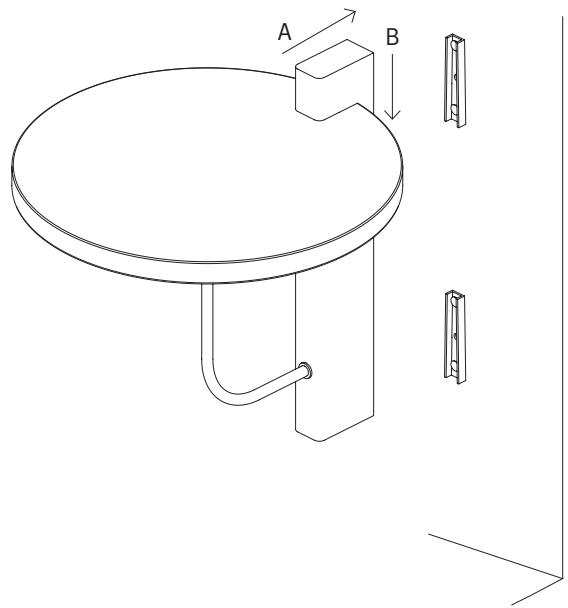
3



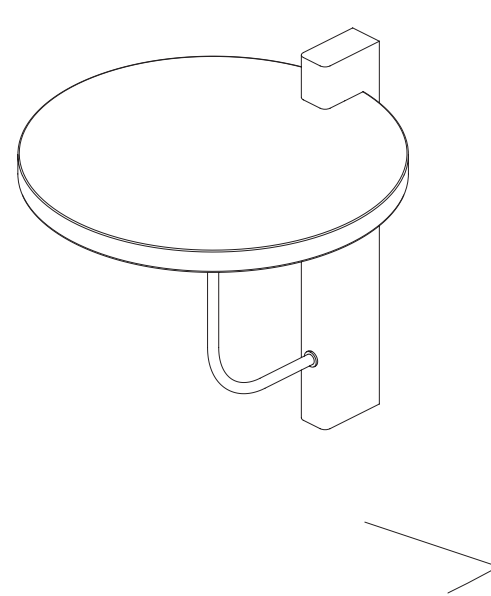
4



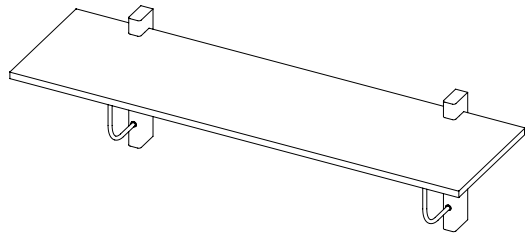
5



6



## Component Overview



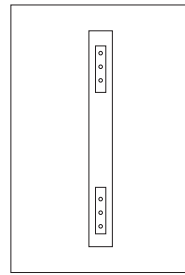
1 x Shelf Long



4 x Brackets

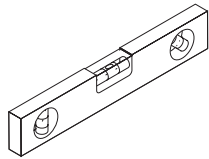


8 x Screws



1 x Instruction

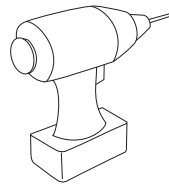
## TOOLS



1 x Spirit Level



1 x Pencil



1 x Driller

## Attention!

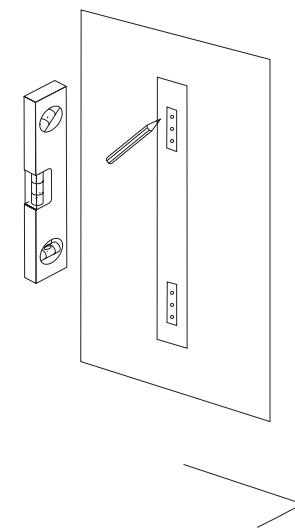
Use screws and wall plugs that are suitable for the walls in your home. If you are uncertain as to which types of screws/wall plugs to use, you should ask your DIY store.

If the Corbel Shelf Long is mounted according to the assembly instruction, and the recommendations of screws and wall plugs, it can handle up to 20 kg.

## Care and maintenance

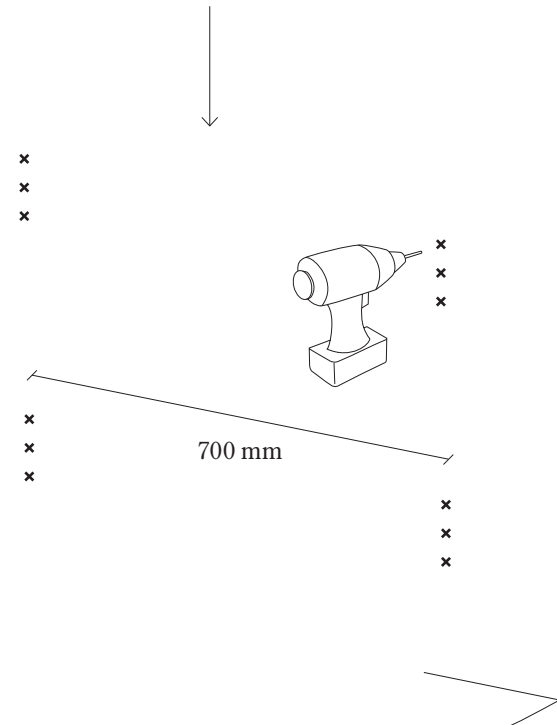
Please see care instructions on [www.audocph.com](http://www.audocph.com)

1

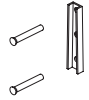
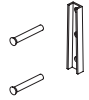
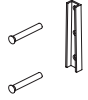
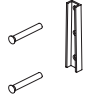


Use a pencil and our instruction paper to draw the holes for the brackets.

2



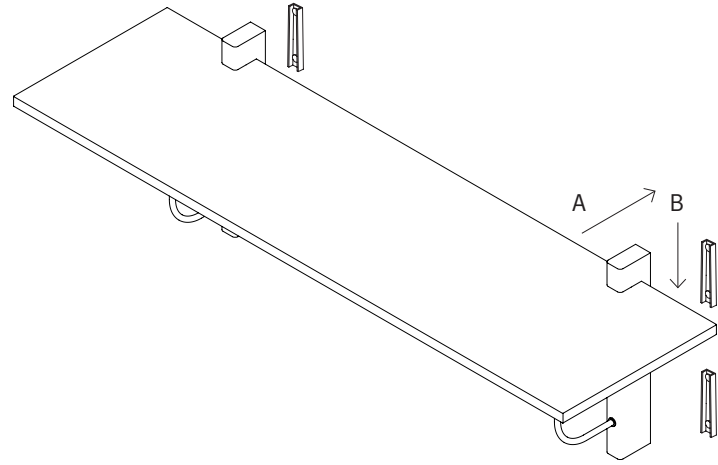
3

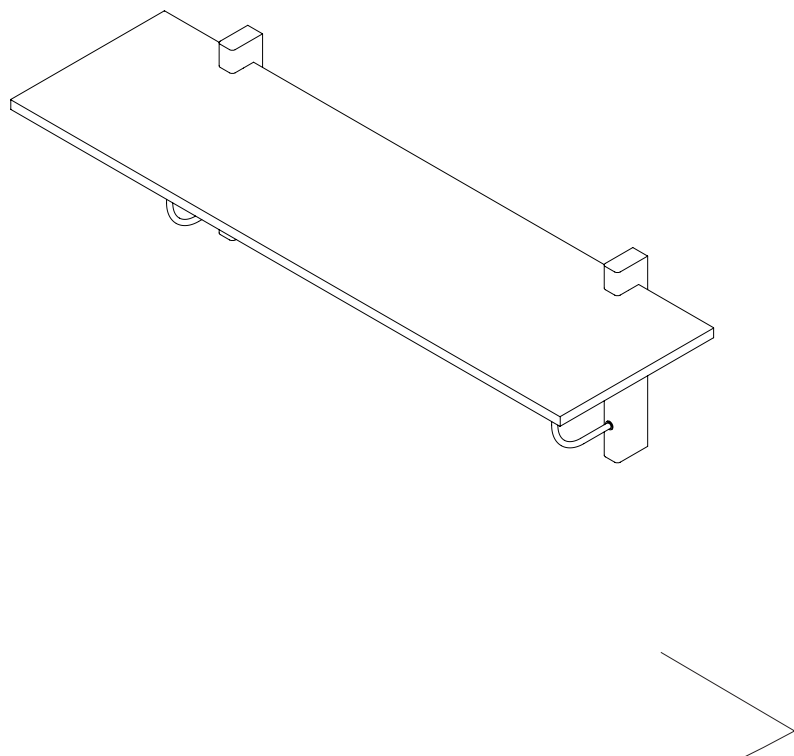


4



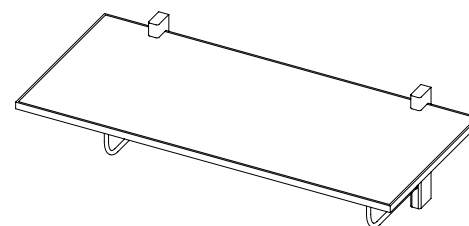
5






---

## Component Overview



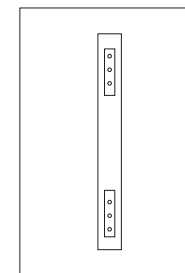
1 x Desk



4 x Brackets

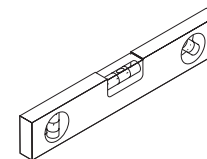


8 x Screws



1 x Instruction

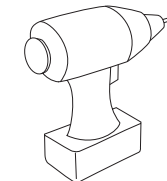
## TOOLS



1 x Spirit Level



1 x Pencil



1 x Driller

---

### *Attention!*

Use screws and wall plugs that are suitable for the walls in your home. If you are uncertain as to which types of screws/wall plugs to use, you should ask your DIY store.

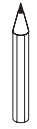
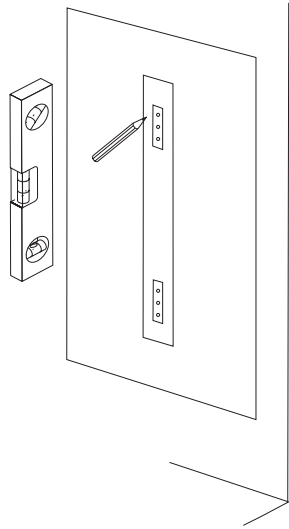
If the Corbel Desk is mounted according to the assembly instruction, and the recommendations of screws and wall plugs, it can handle up to 60 kg.

---

### *Care and maintenance*

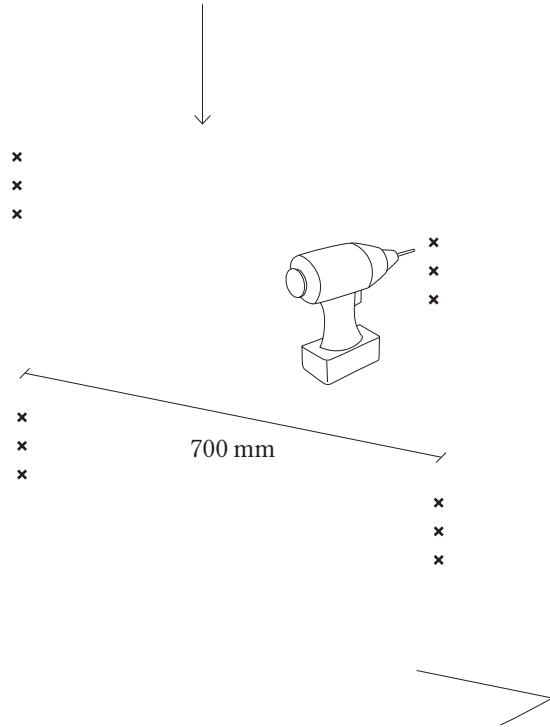
Please see care instructions on [www.audocph.com](http://www.audocph.com)

1

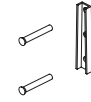


Use a pencil and our instruction paper to draw the holes for the brackets.

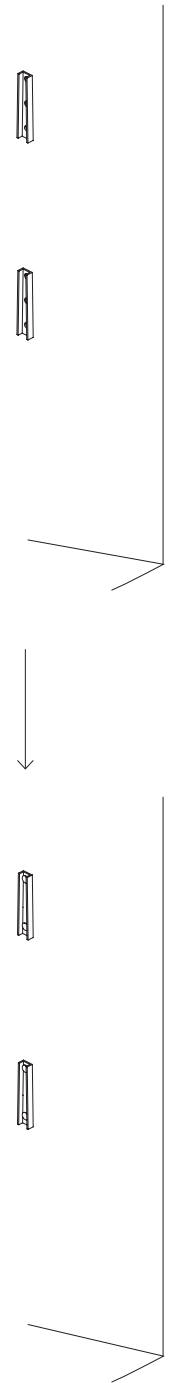
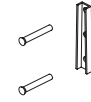
2



3

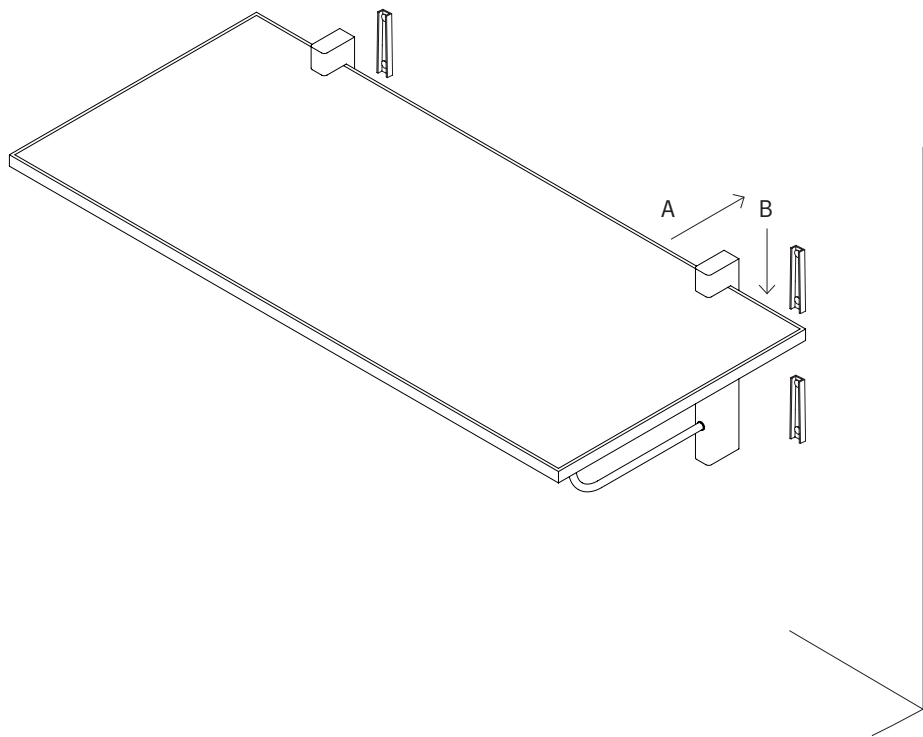


4





5



6

