

ALÌ E BABÀ wall lamp

Matteo Ugolini design

year 2009/2010

TECHNICAL SHEET - AP625

STRUCTURE "A"

material ceramic
colour the structure can be painted/decorated at user's discretion

STRUCTURE "B"

material ceramic
colour the structure can be painted/decorated at user's discretion

ELECTRICAL CABLE

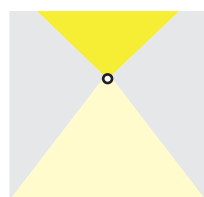
socket E27
source max 1x52w
energy class from E to A++

PACKAGING

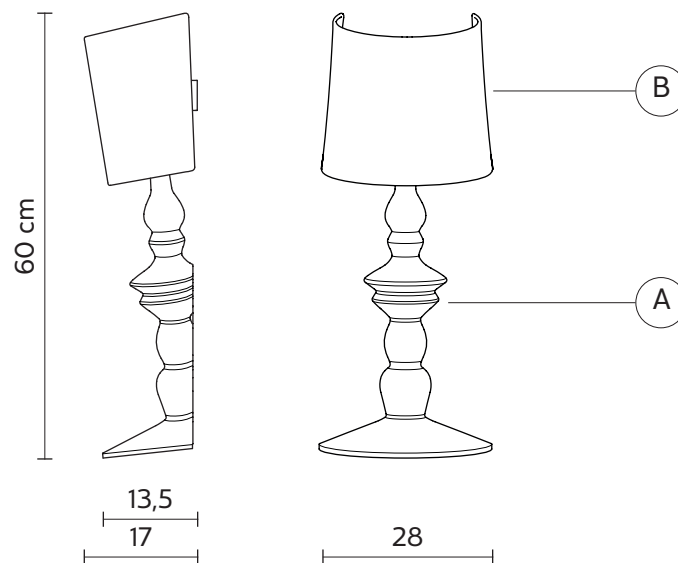
nr.of collis 1
net weight/kg 4
gross weight/kg 5,2
packaging/cm 62x67x32

EMISSION OF LIGHT

one directional



■ direct
■ filtered
■ indirect
■ none



CERTIFICATION

IEC 60598-1:2008
EN 60598-1:2008 + A11:2009



IP rate IP20
bulb not provided

COLLECTION

available also as: floor lamp, suspension, table lamp



AP625B



AP625CBS



AP625LS