

kumo

by no-made

TABLE AND FLOOR LAMPS



kumo small

kumo medium

kumo high

Merging two spherical shapes into one handblown glass silhouette creates kumo’s unique form – referencing that of traditional Japanese paper lanterns. A strong limestone base in a matching tone supports the warm glow of the glass above; a balanced addition to your interior.

YEAR OF DESIGN

2018

MATERIAL

handblown glass and limestone

DIMENSIONS (mm)

SMALL

Ø260 × 290 H

MEDIUM

Ø420 × 450 H

HIGH

Ø350 × 540 H

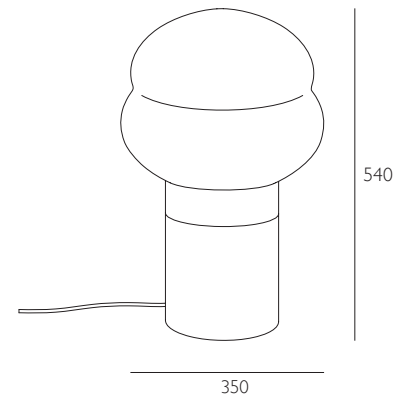
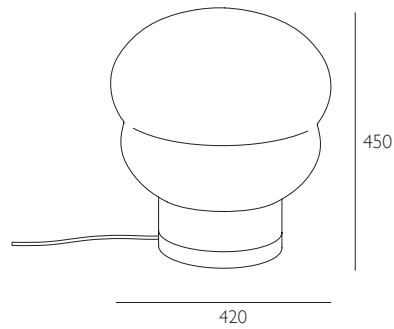
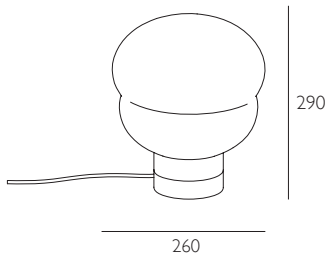
PROCESS

Each piece is created from frosted and coloured handblown glass. Bubbles, streaks and other variations in size and colour are part of production processes, and not defects in the design or production. The base is produced in limestone.

COLOURS + ART. NR



SHADE GLASS	smoky grey acetato	white acetato
BASE LIMESTONE	taupe	white
SMALL	5900G	5900W
MEDIUM	5901G	5901W
HIGH	5902G	5902W



kumo small TABLE LAMP

BASE

limestone

SHADE

handblown glass

CABLE

textile, 4000mm with foot switch and Euro-plug

DIMENSIONS (mm)

Ø260 × 290 H

LIGHT SOURCE

Bulb: LED

Bulb fitting: E27 240Volt

Dimensions (mm): 45 Ø × 75 H

Power consumption: 4 Watt

Voltage (V): 220–240; 50/60 Hz

Lifetime: 30 000 h

Radiation angle: 360°

Colour temperature: 2700 K

Lumen: 400 lm

ES: A++

Finish: warm white



UL Version

LED Filament fully dimmable

max. 7W/120V

E26, 2700 K

kumo medium FLOOR LAMP

BASE

limestone

SHADE

handblown glass

CABLE

textile, 4000mm with foot switch and Euro-plug

DIMENSIONS (mm)

Ø420 × 450 H

LIGHT SOURCE

Bulb: LED

Bulb fitting: E27 240Volt

Dimensions (mm): 80 Ø × 120 H

Power consumption: 7 Watt

Voltage (V): 220–240; 50/60 Hz

Lifetime: 30 000 h

Radiation angle: 360°

Colour temperature: 2700 K

Lumen: 806 lm

ES: A++

Finish: warm white



UL Version

LED Filament fully dimmable

max. 7W/120V

E26, 2700 K

kumo high FLOOR LAMP

BASE

limestone

SHADE

handblown glass

CABLE

textile, 4000mm with foot switch and Euro-plug

DIMENSIONS (mm)

Ø350 × 540 H

LIGHT SOURCE

Bulb: LED filament dimmable

Bulb fitting: E27 240Volt

Dimensions (mm): Ø64 × 142 H

Power consumption: 7 Watt

Voltage (V): 220–240; 50/60 Hz

Lifetime: 30 000 h

Radiation angle: 360°

Colour temperature: 2700 K

Lumen: 806 lm

ES: A++

Finish: warm white



UL Version

LED Filament fully dimmable

max. 7W/120V

E26, 2700 K

CARE INSTRUCTIONS

Regular cleaning and maintenance is important in order to keep your pulpo product looking its best and to prolong its life. Always remove any kind of dirt as soon as possible. We recommend that you first test a small, invisible area to ensure that no colour change or damage arises to the product. Do not use materials for maintenance that contain abrasive agents or are basic, acid or organic.

GLASS CLEANING

For dusting and light cleaning of glass use a soft, dry cloth. For further cleaning gently wipe the surface with a soft cloth wrung in clean water and a non-abrasive commercial glass cleaner. Dry immediately afterwards with a soft, dry and clean cloth. Please note that bubbles, streaks and other variations in size and colour are part of the production process, and not defects of the design or production of handmade glass.

LIMESTONE

For dusting and light cleaning of limestone use a soft, dry cloth. For further cleaning gently wipe the surface with a soft cloth wrung in clean warm water and a cleaner designed specifically for limestone or in clean warm water and a mild detergent. Dry immediately afterwards with a soft, dry and clean cloth.