



PRODUCT SHEET

Umanoff Planter
by Arthur Umanoff

Umanoff Planter

BY ARTHUR UMANOFF

Offered in three different sizes, the Umanoff Planter marries sleek powder coated steel lines with curved handwoven rattan for a natural contrast. Designed in 1961 by the late Arthur Umanoff, a master of mid-century modern, the elevated planter is suitable for both indoor and outdoor use.



Umanoff Planter, 27, Black / Rattan, by Arthur Umanoff
Umanoff Planter, 69, Black / Rattan, by Arthur Umanoff
Umanoff Planter, 32,5, Black / Rattan, by Arthur Umanoff



PRODUCT OPTIONS

PLANTER 27



Black / Rattan

PLANTER 32,5



Black / Rattan

PLANTER 69



Black / Rattan

Umanoff Planter

BY ARTHUR UMANOFF

TECHNICAL SPECIFICATIONS

PRODUCT TYPE

Planter

ENVIRONMENT

Indoor
Outdoor

PRODUCTION PROCESS

Welded steel rod, spun steel and handwoven natural rattan.

DIMENSIONS

27

H: 27 cm / 10,6"
Ø: 27 cm / 10,6"

32,5

H: 32,5 cm / 12,8"
Ø: 41 cm / 16,1"

69

H: 69 cm / 27,2"
Ø: 36,5 cm / 14,4"

COLOURS

Base
Black (RAL 9005)

GLOSS

Gloss 10-20 (with texture)

WEIGHT

27: 2,38 kg / 5,25 lb
32,5: 4,4 kg / 9,7 lb
69: 4,02 kg / 8,86 lb

MATERIALS

Powder coated steel, rattan.

PACKAGING TYPE

Brown box

PACKAGING MEASUREMENTS (H x W x D)

27

30 cm x 28,5 cm x 28,5 cm / 11,8" x 11,2" x 11,2"

32,5

35,5 cm x 42,5 cm x 42,5 cm / 14" x 16,2" x 16,2"

69

71,5 cm x 35 cm x 33 cm / 28,1" x 13,8" x 13"

COLLI

1

MATERIALS & MAINTENANCE

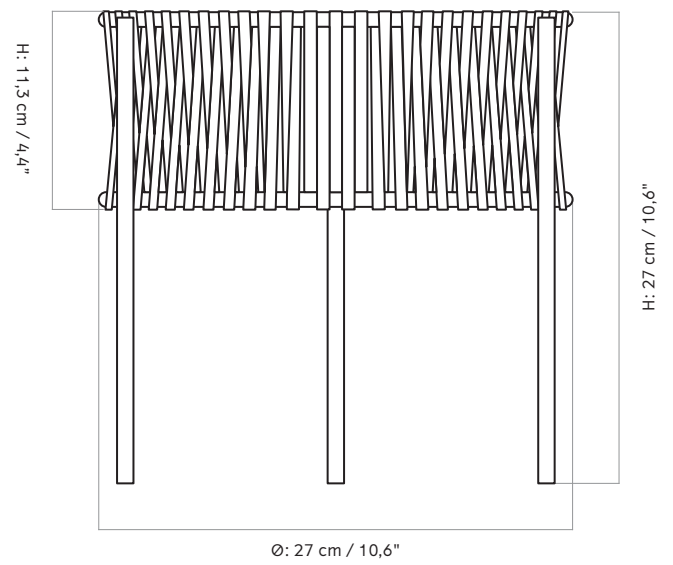
Please visit [menuspace.com](https://www.menuspace.com) for materials and care and maintenance instructions.

Umanoff Planter

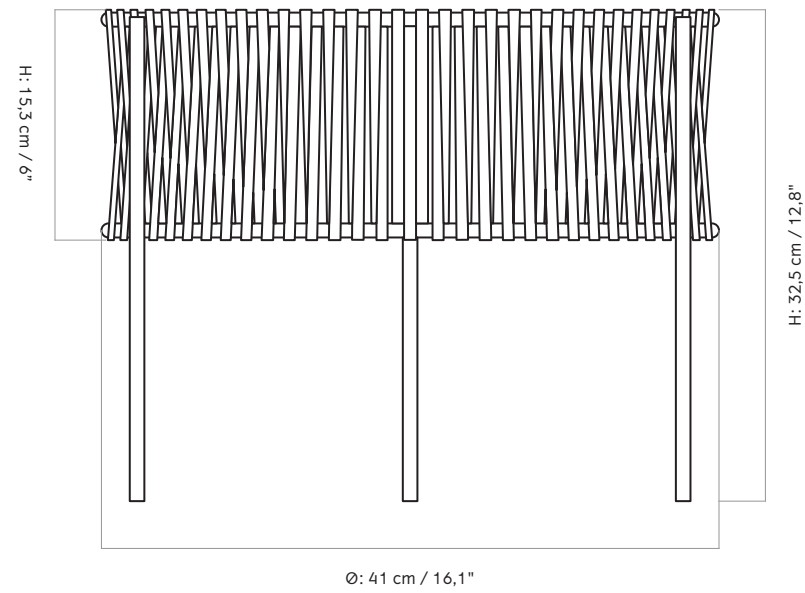
BY ARTHUR UMANOFF

TECHNICAL DRAWING

PLANTER 27



PLANTER 32,5



Umanoff Planter

BY ARTHUR UMANOFF

TECHNICAL DRAWING

PLANTER 69

