



PRODUCT SHEET

**Co Chair, Fully Upholstered**  
*by Norm Architects & Els Van Hoorebeek*

# Co Chair, Fully Upholstered

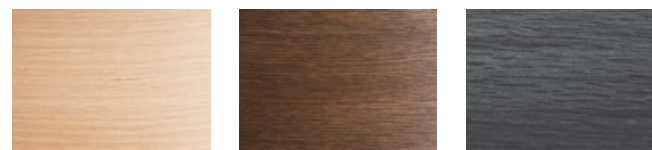
BY NORM ARCHITECTS & ELS VAN HOOREBEECK

The Co Chair Collection pairs a lightweight, sleek profile with great seating comfort. Available with or without armrests in three wood versions, the versatile design of the fully upholstered Co Chair is set on a black powder coated steel or chrome base. The seat and backrest are lightly padded and fully upholstered for extra comfort, customisable in a range of beautiful fabrics and leathers.



## PRODUCT OPTIONS

### ARMREST



NATURAL OAK

DARK STAINED OAK

BLACK OAK

### STEEL BASE



BLACK POWDER COATED STEEL

CHROMED STEEL

### WITH OR WITHOUT ARMREST



WITHOUT ARMREST

WITH ARMREST

### SPEC OPTIONS

Available in fabrics from our upholstery programme. Standard lead times apply. Custom upholstery available upon request. For further information please refer to MENU Upholstery Programme.

Co Chair, Fully Uph, Black Steel / Lupo Sand T19028/004,  
by Norm Architects & Els Van Hoorebeeck  
Co Chair, Fully Uph, Chrome / Ritz 1644,  
by Norm Architects & Els Van Hoorebeeck

# Co Chair, Fully Upholstered

BY NORM ARCHITECTS & ELS VAN HOOREBEECK

## TECHNICAL SPECIFICATIONS

### PRODUCT TYPE

Dining chair

### ENVIRONMENT

Indoor

### DIMENSIONS

#### Without armrest

H: 80 cm / 31,5"  
SH: 45 cm / 17,7"  
D: 50,5 cm / 19,9"  
W: 52 cm / 20,5"

#### With armrest

H: 80 cm / 31,5"  
AH: 68 cm / 26,8"  
SH: 45 cm / 17,7"  
D: 50,5 cm / 19,9"  
W: 62 cm / 24,4"

### PRODUCTION PROCESS

Seat, backrest and armrests are made of curved plywood. Shell is CNC-milled in a 5-axis CNC machine. The core is made of beech veneer with an outer layer of oak veneer. Double layer foam is used on upholstered seat and backrest for added comfort.

The base is made of bent, MIG+TIG-welded 16 mm steel tube and armrests of 14 mm steel tube. The base and armrests are powder coated or chromed.

### COLOUR

#### Base

Black (RAL 9005)  
Chrome

#### Seat and backrest with upholstery

Dependent upon selected upholstery

#### Armrest

Natural oak  
Dark stained oak  
Black oak

### GLOSS

#### Base

10-20 (black)

### MATERIALS

#### Armrests

Natural oak veneer with matte lacquer, dark stained oak with wax or black painted oak and beech core.

#### Seat and backrest with upholstery

Beech, curved plywood, CAL117 foam (20mm 45N / 40 kg and 10mm 32N / 40 kg), upholstery.

#### Base

Powder coated or chromed steel.

### WEIGHT

Without armrest: 5,8 kg / 12,8 lb  
With armrest: 6,5 kg / 14,3 lb

### TEST

EN1022:2005, L2  
EN16139:2013, L2

### CERTIFICATIONS

FSC certified

### PACKAGING TYPE

Brown box

### PACKAGING MEASUREMENTS (H x W x D)

#### Without armrest

86 cm x 58 cm x 53 cm / 33,9" x 22,8" x 20,9"

#### With armrest

86 cm x 58 cm x 67 cm / 33,9" x 22,8" x 26,4"

### COLLI

1

### MATERIALS & MAINTENANCE

Please visit [menuspace.com](https://www.menuspace.com) for materials and care and maintenance instructions.

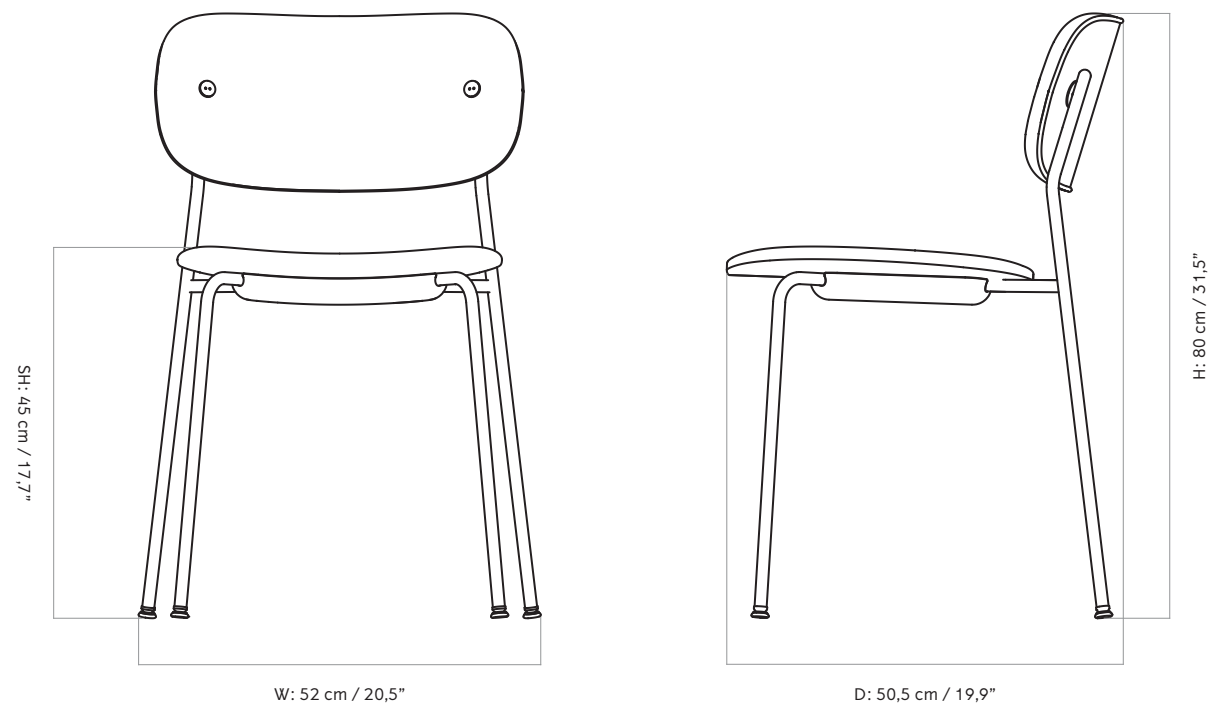


# Co Chair, Fully Upholstered

BY NORM ARCHITECTS & ELS VAN HOOREBEECK

## TECHNICAL DRAWING

### CO CHAIR, WITHOUT ARMREST



# Co Chair, Fully Upholstered

BY NORM ARCHITECTS & ELS VAN HOOREBEECK

## TECHNICAL DRAWING

### CO CHAIR, WITH ARMREST

