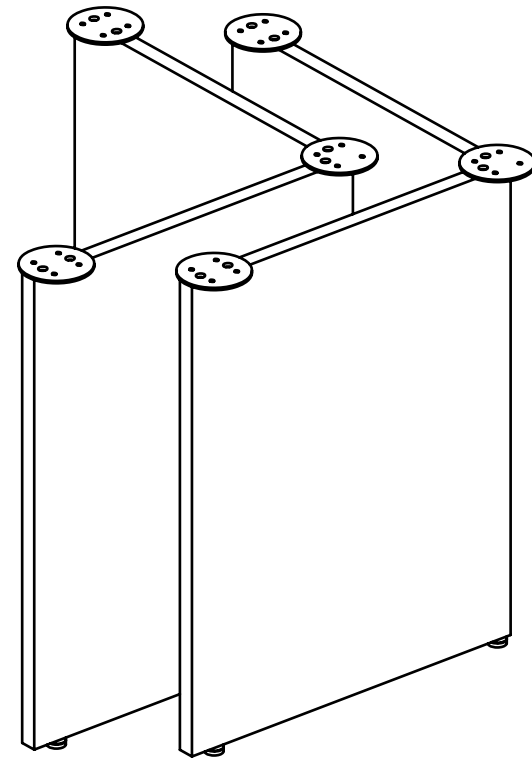


MINGLE WOODEN TABLE LEGS

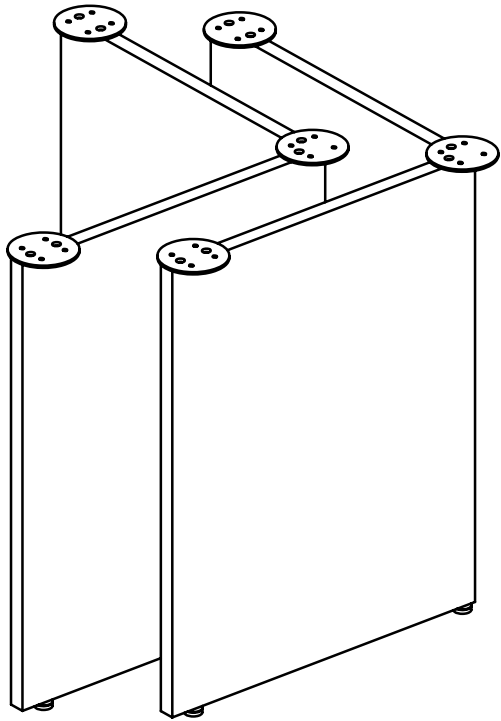
ASSEMBLY MANUAL - W68

fermliving.com

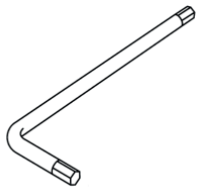


ferm
L I V I N G

CONTENT OF THE BOX



2 x
Wooden Legs
W68



1 x Hex key



24 x Screws
(12 for each leg)

ASSEMBLY PROCESS

1. Place the table top on the floor with the bottom facing upwards. Make sure to lay a blanket or towel underneath to protect the table top's surface.
2. Flip the two legs upside down, so that the metal discs are facing downwards, and slide the legs into place by inserting the metal discs into the pre-drilled holes.
3. Place screws into the pre-drilled holes. When all screws are in place, tighten the screws.

