

Harbour Lounge Chair



Lounge Chair

Furniture—Product Sheet
menu.as

by Norm Architects



Harbour Lounge Chair



Already available in multiple iterations—from a comfortable dining chair to a sophisticated swivel-base chair—the Harbour series gains a new member: the Harbour Lounge Chair. A sculptural piece with a minimalist expression, the solid yet light weight construction retains all the hallmarks of its predecessors, while adding laid-back comfort to the series. Set on a solid wood frame, the upholstered shell with gently curved sides and an angled backrest retains the sense of being cradled and supported, while inviting complete relaxation.

Bridging the gap between an armchair and a lounger, the new Harbour Lounge Chair has the same minimalist expression as its predecessors. Resting on a solid wood frame, offered in natural, dark stained or black oak and walnut, its embracing shell is upholstered in a range of tactile yet durable fabrics in contemporary colourways. The low-pitched frame features rounded legs and subtle joinery details, and the generous shell has a wide back, angled for comfort and supporting the body while providing space to relax. Ideal for relaxing into after a long day, it features the series' characteristic curving armrests and a luxuriously oversized seat complete with a corresponding cushion.

About the Designer

Founded in Copenhagen in 2008 by Jonas Bjerre-Poulsen and Kasper Rønn, Norm Architects specialises in residential architecture, commercial interiors, industrial design, photography and art direction. The company name highlights the importance of drawing inspiration from norms and traditions within architecture and design—in particular the Scandinavian design principles of timeless aesthetics and natural materials, and the Modernist values of restraint and refinement. Together with MENU, Norm Architects create design that unites great materials and craftsmanship, while embodying beauty, tradition and timeless simplicity.

Product Type

Lounge Chair

Environment

Indoor

Dimensions (cm / in)

H: 80 cm / 31,4"

W: 76 cm / 30"

D: 70 cm / 27,5"

SH: 43 cm / 17"

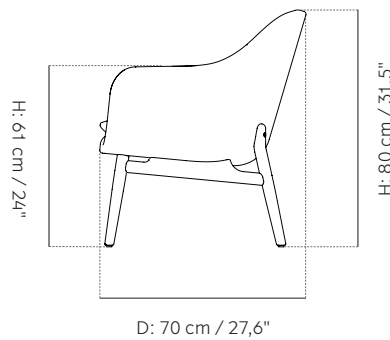
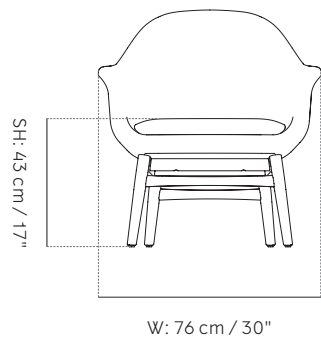
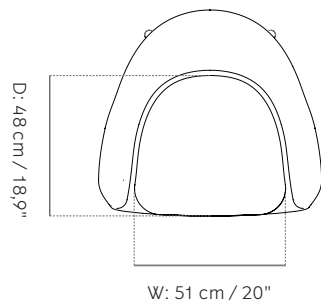
Colours

Shell: According to Upholstery

Base: Natural Oak, Dark Stained Oak, Black Oak or Walnut

Harbour Lounge Chair

Technical Specifications



Production Process

Shell and seat cushion are made from moulded foam with an inner steel construction. Base is made from solid wood in either Oak or Walnut.

Materials

Shell / Cushion: Moulded HR Foam Index 97.
Wood Base, Oak: Matt Lacquered, Dark Stained or Black Stained.
Wood Base, Walnut: Matt Lacquered.

Test

N/A

Certifications

N/A

Colour Code

According to Upholstery

Packaging Type

Brown Box

Gloss

N/A

Packaging Measurement (H * W * D)

TBA

Weight item (kg)

TBA

Care Instructions

Shell: Upholstery should be cleaned according to the recommendations of the textile / leather supplier.

Base: Use a soft dry cloth to clean. Do not use any cleaners with chemicals or harsh abrasives. Avoid using water.

Harbour Lounge Chair



Natural Oak Base, Savanna 222/Nuance 40782

9255159



Dark Stained Oak Base, Savanna 262/Nuance 40783

9255179



Walnut Base, Savanna 672/Shade 20296

9255549



Black Oak Base, Savanna 152/Shade 20296

9255569