



PRODUCT SHEET

Snaregade Dining Tables
by Norm Architects

Snaregade Dining Table, Ø120

BY NORM ARCHITECTS

Round dining table with a tabletop in linoleum, painted oak veneer or dark stained oak set on a powder coated steel base.

PRODUCT OPTIONS

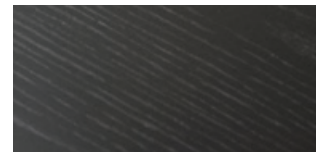
TABLETOP



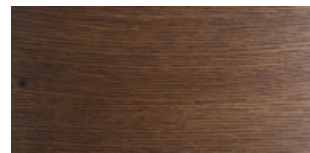
CHARCOAL LINOLEUM



MUSHROOM LINOLEUM



BLACK OAK



DARK STAINED OAK

POWDER COATED STEEL BASE



BLACK STEEL



LIGHT GREY STEEL



Snaregade Dining Table, Ø120, Black Steel / Dark Stained Oak, by Norm Architects
Houkime Rug, Beige, by Nina Bruun
Levitare Pendant, 40, Black / Brass, by Aftersom

Snaregade Dining Table, Ø120

BY NORM ARCHITECTS

TECHNICAL SPECIFICATIONS

PRODUCT TYPE

Dining table

COLLI

1

ENVIRONMENT

Indoor

DIMENSIONS

H: 73 cm / 28,7"

Ø: 120 cm / 47,2"

PRODUCTION PROCESS

The tabletop is made from painted Crafted from FSC certified oak veneer, dark stained Crafted from FSC certified oak veneer or forbo linoleum glued on MDF, CNC machine-cut. The frame is welded together from steel tubes and surface finished with powder coating.

COLOUR

Base

Black (RAL 9005)

Light grey (RAL 9002)

Linoleum tabletop

Charcoal (Forbo) S 8502-B

Mushroom (Forbo) S 2002-Y

Wooden tabletop

Black (RAL 9005)

Dark stained oak

GLOSS

Gloss 10-20

MATERIALS

Linoleum, painted or dark stained oak veneer, MDF and powder coated steel.

WEIGHT

Tabletop: 34,3 kg / 75,6 lb

Legs: 5,9 kg / 13 lb

TEST

N / A

CERTIFICATIONS

TSCA title VI compliant

Crafted from FSC certified oak veneer

PACKAGING TYPE

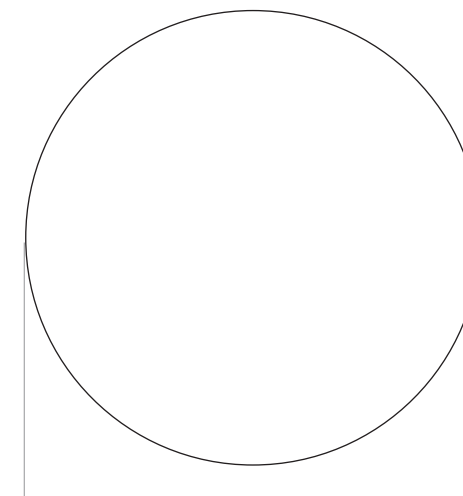
Brown box

PACKAGING MEASUREMENTS (H x W x D)

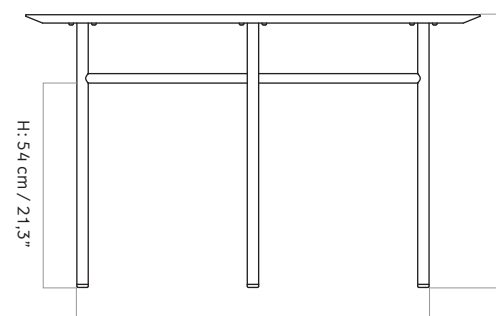
H: 4,8 cm / 1,9" x W: 124 cm / 48,9" x D: 124 cm / 48,9"

MATERIALS & MAINTENANCE

Please visit [menuspace.com](https://www.menuspace.com) for materials and care and maintenance instructions.

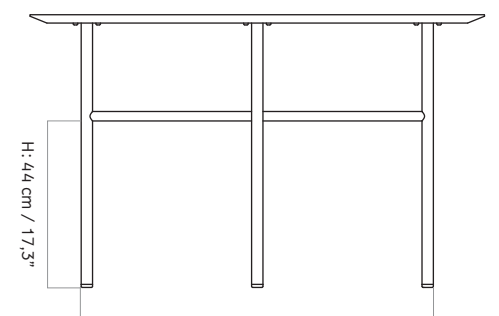


Ø: 120 cm / 47,2"



H: 73 cm / 28,7"

W: 90 cm / 35,4"



H: 44 cm / 17,3"

D: 90 cm / 35,4"

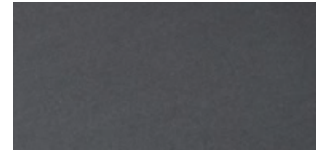
Snaregade Dining Table, Ø138

BY NORM ARCHITECTS

Round dining table with a tabletop in linoleum, painted oak veneer or dark stained oak set on a powder coated steel base.

PRODUCT OPTIONS

TABLETOP



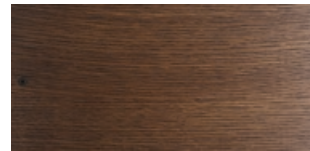
CHARCOAL LINOLEUM



MUSHROOM LINOLEUM



BLACK OAK



DARK STAINED OAK

POWDER COATED STEEL BASE



BLACK STEEL



LIGHT GREY STEEL

Snaregade Dining Table, Ø138, Black Steel / Dark Stained Oak, by Norm Architects
Afteroom Dining Chair Plus, Black Steel / Walnut / Shade 20296, by Afteroom



Snaregade Dining Table, Ø138

BY NORM ARCHITECTS

TECHNICAL SPECIFICATIONS

PRODUCT TYPE
Dining table

COLLI
1

ENVIRONMENT
Indoor

DIMENSIONS
H: 73 cm / 28,7"
Ø: 138 cm / 54,3"

PRODUCTION PROCESS

The tabletop is made from painted Crafted from FSC certified oak veneer, dark stained Crafted from FSC certified oak veneer or forbo linoleum glued on MDF, CNC machine-cut. The frame is welded together from steel tubes and surface finished with powder coating.

COLOUR

Base
Black (RAL 9005)
Light grey (RAL 9002)

Linoleum tabletop
Charcoal (Forbo) S 8502-B
Mushroom (Forbo) S 2002-Y

Wooden tabletop
Black (RAL 9005)
Dark stained oak

GLOSS
Gloss 10-20

MATERIALS

Linoleum, painted or dark stained oak veneer, MDF and powder coated steel.

WEIGHT

Tabletop: 36 kg / 79,4 lb
Legs: 5,9 kg / 13 lb

TEST
N / A

CERTIFICATIONS

TSCA title VI compliant
Crafted from FSC certified oak veneer

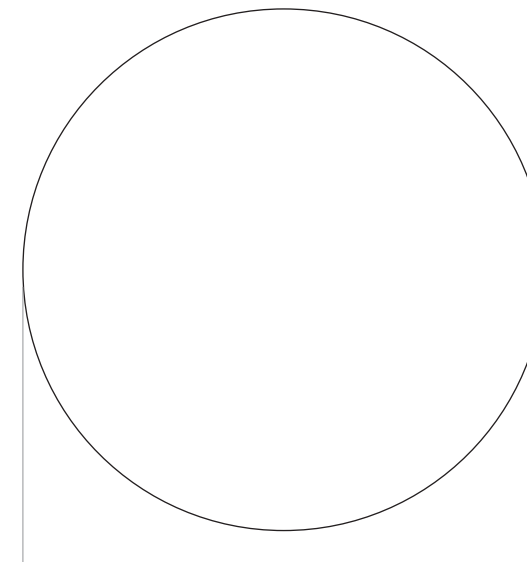
PACKAGING TYPE
Brown box

PACKAGING MEASUREMENTS (H x W x D)

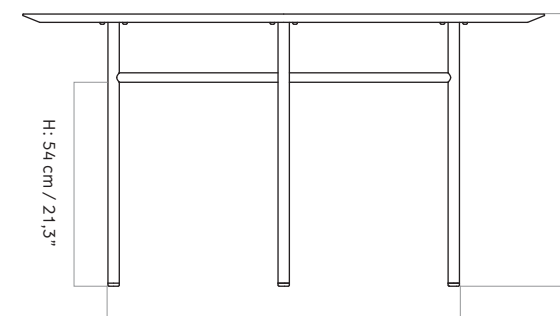
H: 4,8 cm / 1,9" x W: 142 cm / 55,9" x D: 142 cm / 55,9"

MATERIALS & MAINTENANCE

Please visit [menspace.com](https://www.menspace.com) for materials and care and maintenance instructions.



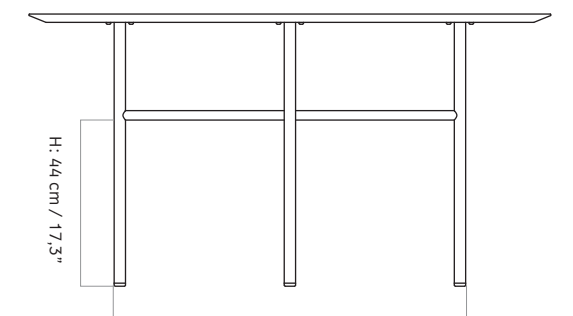
Ø: 138 cm / 54,3"



H: 73 cm / 28,7"

H: 73 cm / 28,7"

W: 90 cm / 35,4"



H: 44 cm / 17,3"

D: 90 cm / 35,4"

Snaregade Dining Table, Oval

BY NORM ARCHITECTS

Oval dining table, with a tabletop in linoleum, painted oak veneer or dark stained oak set on a powder coated steel base.

PRODUCT OPTIONS

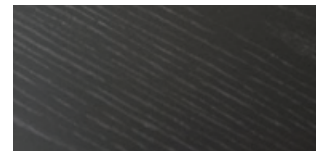
TABLETOP



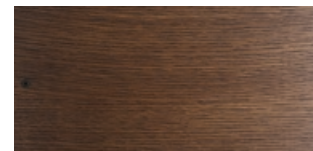
CHARCOAL LINOLEUM



MUSHROOM LINOLEUM



BLACK OAK



DARK STAINED OAK

POWDER COATED STEEL BASE



BLACK STEEL



LIGHT GREY STEEL



Harbour Dining Chair, Steel Base, Black/Dakar 0311, by Norm Architects
 Snaregade Dining Table, Oval, Black/Charcoal Linoleum, by Norm Architects
 Cyclades Vase, Large, Sand, by Nick Ross
 Échasse Bowl, Small, Smoke/Brushed Brass, by Theresa Rand
 New Norm Dinnerware, Dark Glazed, by Norm Architects
 Stackable Glasses, by Norm Architects Bottle
 Carafe, 1 L, Clear Glass/Brass, by Norm Architects

Snaregade Dining Table, Oval

BY NORM ARCHITECTS

TECHNICAL SPECIFICATIONS

PRODUCT TYPE
Dining table

COLLI
1

ENVIRONMENT
Indoor

DIMENSIONS
H: 73 cm / 28,7"
D: 95 cm / 37,4"
L: 210 cm / 82,7"

PRODUCTION PROCESS

The tabletop is made from painted Crafted from FSC certified oak veneer, dark stained FSC certified oak veneer or forbo linoleum glued on MDF, CNC machine-cut. The frame is welded together from steel tubes and surface finished with powder coating.

COLOUR

Base
Black (RAL 9005)
Light grey (RAL 9002)

Linoleum tabletop
Charcoal (Forbo) S 8502-B
Mushroom (Forbo) S 2002-Y

Wooden tabletop
Black (RAL 9005)
Dark stained oak

GLOSS
Gloss 10-20

MATERIALS

Linoleum, painted or dark stained oak veneer, MDF and powder coated steel.

WEIGHT

Tabletop: 37,5 kg / 82,7 lb
Legs: 16,9 kg / 37,3 lb

TEST
N / A

CERTIFICATIONS

TSCA title VI compliant
Crafted from FSC certified oak veneer

PACKAGING TYPE

Brown box

PACKAGING MEASUREMENT (H x W x D)

H: 4,8 cm / 1,9" x W: 99 cm / 39" x D: 214 cm / 84,3"

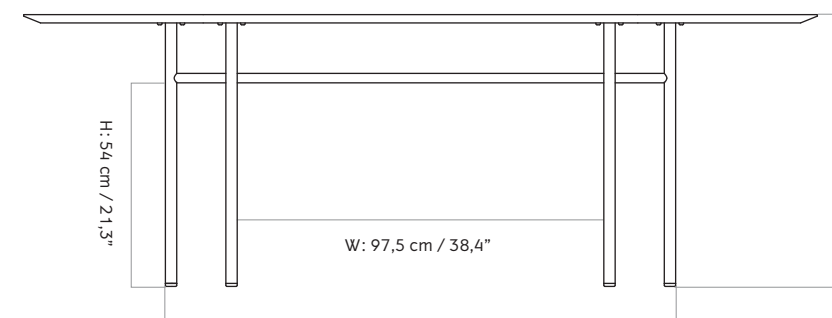
MATERIALS & MAINTENANCE

Please visit [menuspace.com](https://www.menuspace.com) for materials and care and maintenance instructions.



W: 210 cm / 82,7"

D: 95 cm / 37,4"

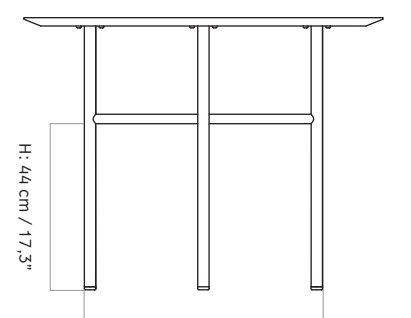


H: 73 cm / 28,74"

W: 97,5 cm / 38,4"

W: 134,5 cm / 53"

H: 73 cm / 28,74"



H: 44 cm / 17,3"

D: 62,5 cm / 24,6"

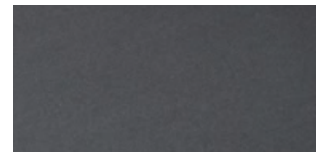
Snaregade Dining Table, Rectangular

BY NORM ARCHITECTS

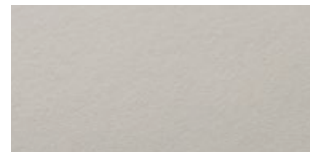
Rectangular dining table with a tabletop in linoleum, painted oak veneer or dark stained oak set on a powder coated steel base.

PRODUCT OPTIONS

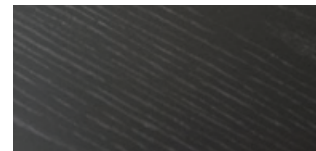
TABLETOP



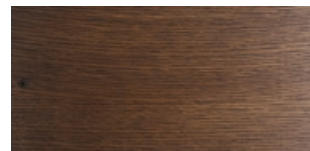
CHARCOAL LINOLEUM



MUSHROOM LINOLEUM



BLACK OAK



DARK STAINED OAK

POWDER COATED STEEL BASE



BLACK STEEL



LIGHT GREY STEEL

Snaregade Dining Table, Rectangular, Black Steel / Black Oak, by Norm Architects



Snaregade Dining Table, Rectangular

BY NORM ARCHITECTS

TECHNICAL SPECIFICATIONS

PRODUCT TYPE

Dining table

COLLI

1

ENVIRONMENT

Indoor

DIMENSIONS

H: 73 cm / 28,7"

D: 90 cm / 35,4"

L: 200 cm / 78,7"

PRODUCTION PROCESS

The tabletop is made from painted. Crafted from FSC certified oak veneer, dark stained. Crafted from FSC certified oak veneer or forbo linoleum glued on MDF, CNC machine-cut. The frame is welded together from steel tubes and surface finished with powder coating.

COLOUR

Base

Black (RAL 9005)

Light grey (RAL 9002)

Linoleum tabletop

Charcoal (Forbo) S 8502-B

Mushroom (Forbo) S 2002-Y

Wooden tabletop

Black (RAL 9005)

Dark stained oak

GLOSS

Gloss 10-20

MATERIALS

Linoleum, painted or dark stained oak veneer, MDF and powder coated steel.

WEIGHT

Tabletop: 34,2 kg / 75,4 lb

Legs: 16,9 kg / 37,3 lb

TEST

EN 15372:2016, L2

CERTIFICATIONS

TSCA title VI compliant

Crafted from FSC certified oak veneer

PACKAGING TYPE

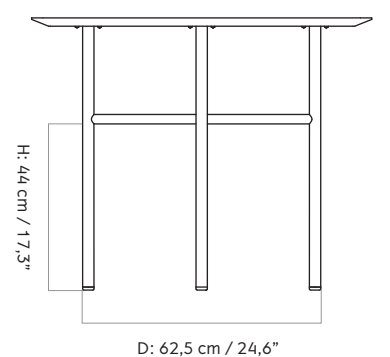
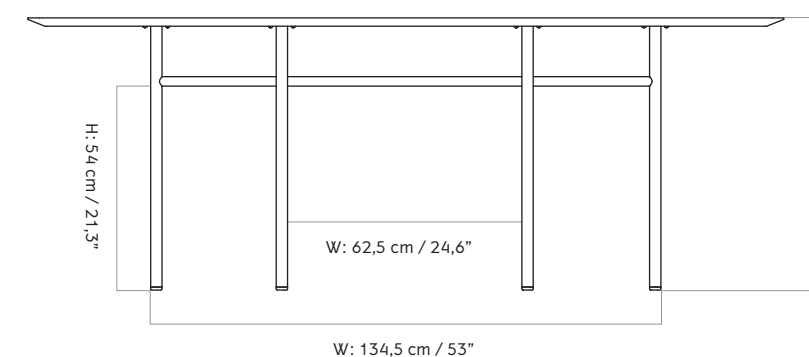
Brown box

PACKAGING MEASUREMENTS (H x W x D)

19 cm x 205,5 cm x 96 cm / 7,5" x 80,1" x 37,8"

MATERIALS & MAINTENANCE

Please visit menuspace.com for materials and care and maintenance instructions.

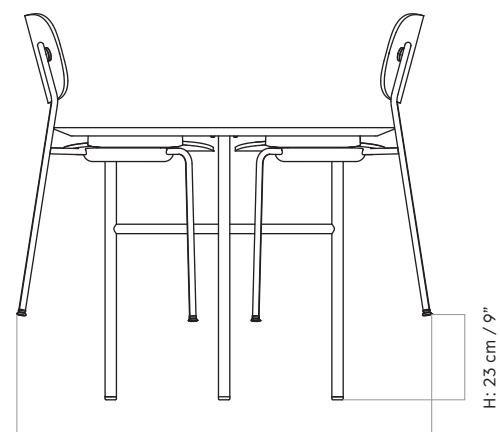
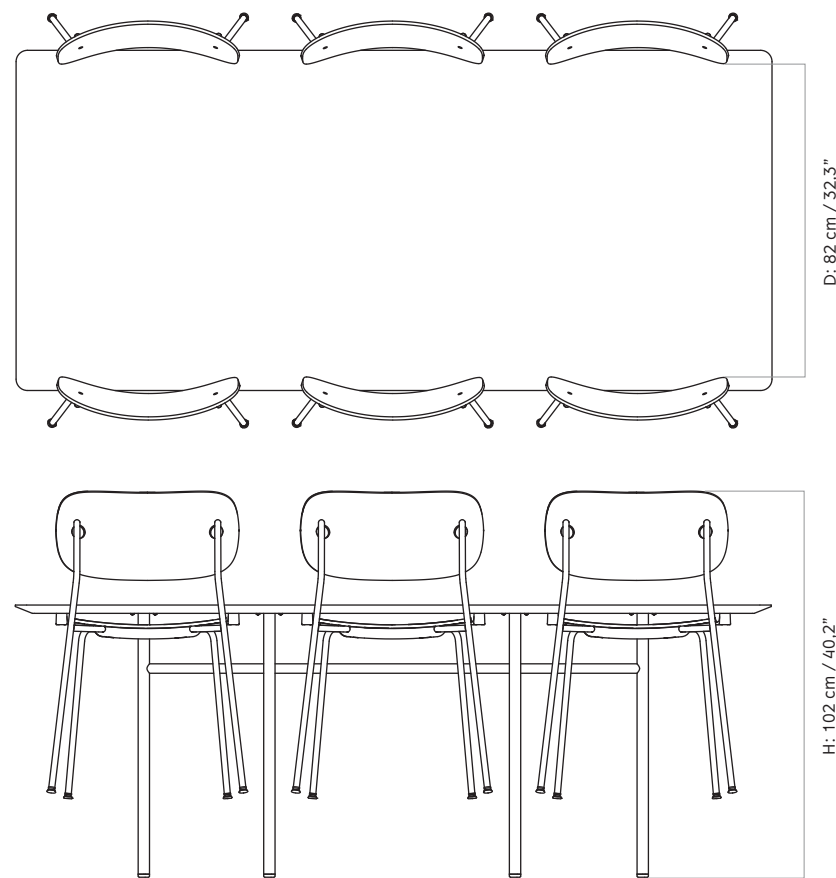


Snaregade Dining Table, Rectangular

BY NORM ARCHITECTS

TECHNICAL SPECIFICATIONS

Snaregade Dining Table, Rectangular with seat runner and Co Chair .



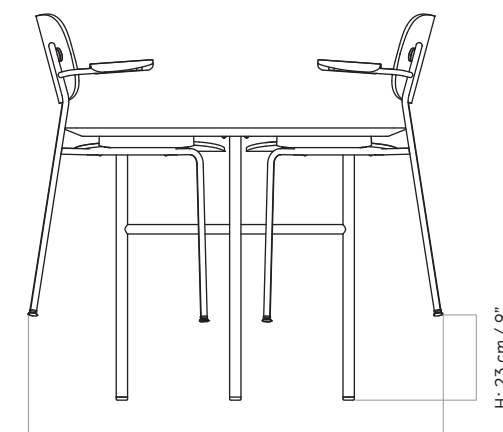
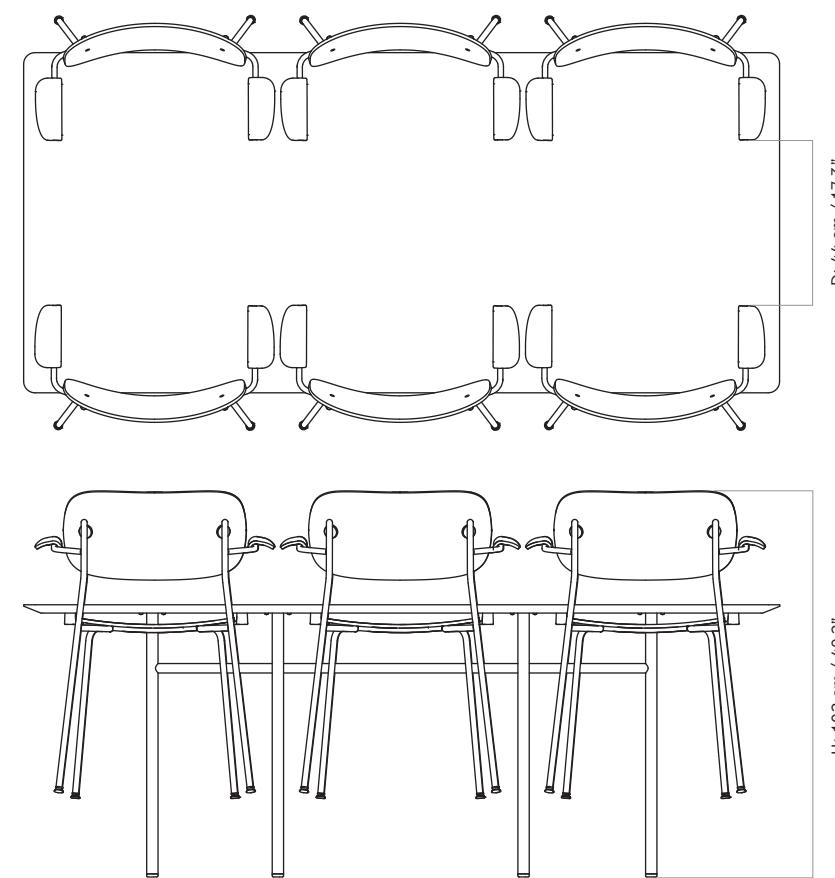
D: 110 cm / 43,5"

Snaregade Dining Table, Rectangular

BY NORM ARCHITECTS

TECHNICAL SPECIFICATIONS

Snaregade Dining Table, Rectangular with seat runner and Co Chair w/Armrest.



D: 110 cm / 43,5"