

**como**

by Sebastian Herkner  
SHELVES



**STANCE. STATEMENT. FLOATING.**

Sebastian Herkner's work of full aluminium seems to hover over the ground. Invisibly attached to the wall, every fixation of the variably installable ensemble is invisible. All three of the optional colors render its physical appearance in a plain, clean spatial sculpture.

**YEAR OF DESIGN**

2022

**MATERIAL**

powder-coated aluminium

**DIMENSIONS (mm)**

small 450 L x 295 W x 650 H  
medium 450 L x 295 W x 1200 H  
large 450 L x 295 W x 1600 H

**PRODUCT CHARACTERISTICS**

Each piece is created from powder-coated aluminium.

**ASSEMBLY REQUIRED**

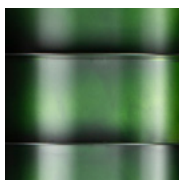
Yes.



chrome



smoky grey

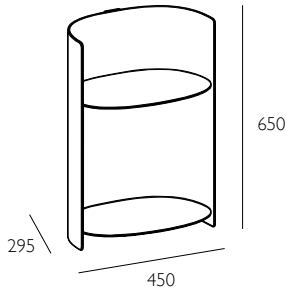


fango green

small	4010CHR	4010G	4010FG
medium	4020CHR	4020G	4020FG
large	4030CHR	4030G	4030FG

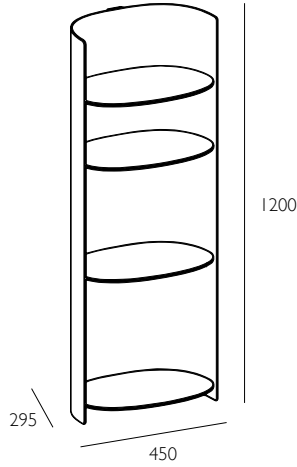
**como small**

450 L x 295 W x 650 H



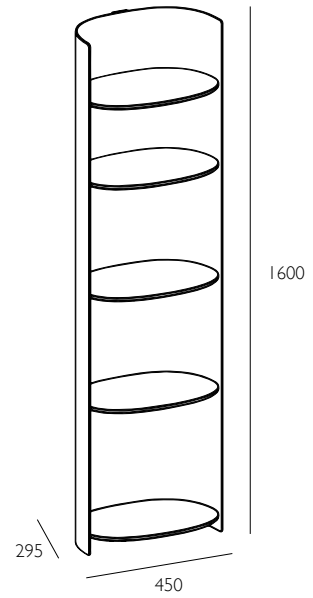
**como medium**

450 L x 295 W x 1200 H



**como large**

450 L x 295 W x 1600 H



**CARE INSTRUCTIONS**

Regular cleaning and maintenance is important in order to keep your pulpo product looking its best and to prolong its life. Always remove any kind of dirt as soon as possible. We recommend that you first test a small, invisible area to ensure that no colour change or damage arises to the product. Do not use materials for maintenance that contain abrasive agents or are basic, acid or organic.

**ALUMINIUM CLEANING**

These finishes are relatively fine and should therefore be lightly cleaned with the utmost care, avoiding abrasive cleaning agents. Vigorous rubbing should be avoided.

Mild soap with water and a soft brush (like nylon bristles that are very soft, or natural brushes with soft texture) or a clean lint free soft cloth to clean. A freshwater rinse is recommended method of washing the aluminium furniture, and drying with a towel (as necessary.)

Regular wiping with a soft cloth will reduce the necessity for more stringent and possibly harmful action, if dirt and grease deposits are allowed to collect on the surface.