



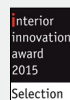
GAZZDA

---

# Fawn table

Product sheet

design by  
**Salih Teskeredžić**



# Fawn table

## Product facts

### Materials

---

|        |             |
|--------|-------------|
| Body   | Solid oak   |
| Finish | Hardwax oil |

### Technical features

---

#### Plate

The table plate is fully made out of solid wood - oak. One of the main technical features of the table is that it has no aprons. The solid wood plate has steel stiffeners at the bottom side of the plate which prevents minor changes in the dimensions of the wooden parts over time due to the hygroscopy.

#### Legs

Legs are demountable and are also made out of solid oak.

#### Finish

Available in two plant-based Hardwax oil finishes (colours), which retain the wood's natural state, as a white or natural oil.

#### Cleaning

Please see [Product](#) or [Material](#) page on our website.

### Notes to consider

---

#### Variations

Natural variations in wood color and surface may occur. Regular maintenance will ensure the wood preserves its authentic beauty and can last for generations.

#### Product changes

Please note that Gazzda reserves the right to alter construction and design without notice.

#### Dimensions (tolerances)

The dimensions shown are indicative, they may vary due to the natural properties of wood, season, or manufacturing processes. Deviations from the specified size may occur, usually no more than 1 cm.

For all additional inquiries regarding Fawn table please feel free to [contact us](#).

# Fawn table 160

Base Solid oak, Plate Solid oak



Version: 1-8-2021

## Basic info

|                     |                        |
|---------------------|------------------------|
| <b>Design</b>       | Salih Teskeredžić      |
| <b>Product size</b> | W: 160, D: 90, H: 75   |
| <b>Packaging</b>    | W: 172,5, D: 96, H: 15 |
| <b>Volume</b>       | 0,25 m <sup>3</sup>    |
| <b>Net weight</b>   | 38,5 kg                |
| <b>Gross weight</b> | 42,7 kg                |

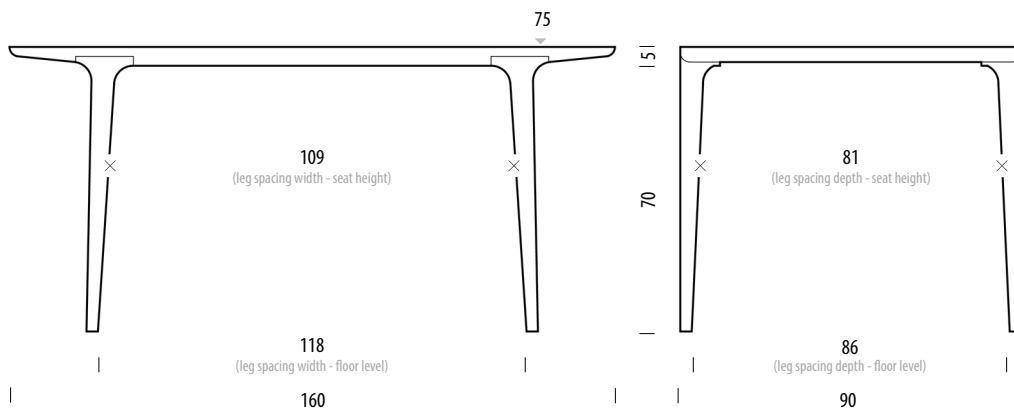


### Item no. 08D

| Leg spacing | Width | Depth | Height |
|-------------|-------|-------|--------|
| Floor level | 118   | 86    |        |
| Seat height | 109   | 81    |        |

Assembly 15 min / 2 persons

| Plate | Thickness |
|-------|-----------|
|       | 5         |



# Fawn table 180

Base Solid oak, Plate Solid oak



Version: 1-8-2021

## Basic info

|                     |                        |
|---------------------|------------------------|
| <b>Design</b>       | Salih Teskeredžić      |
| <b>Product size</b> | W: 180, D: 90, H: 75   |
| <b>Packaging</b>    | W: 192,5, D: 96, H: 15 |
| <b>Volume</b>       | 0,28 m <sup>3</sup>    |
| <b>Net weight</b>   | 42,2 kg                |
| <b>Gross weight</b> | 47 kg                  |

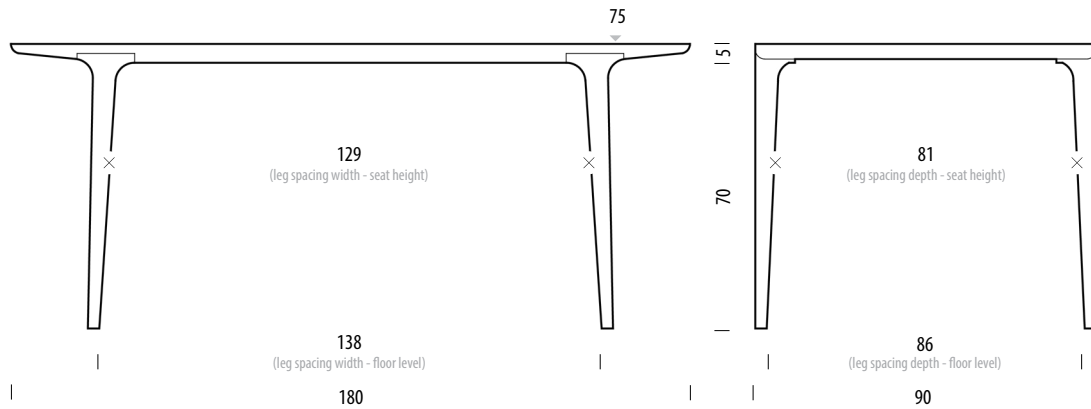


Item no. 08E

| Leg spacing | Width | Depth | Height |
|-------------|-------|-------|--------|
| Floor level | 138   | 86    |        |
| Seat height | 129   | 81    |        |

Assembly 15 min / 2 persons

| Plate | Thickness |
|-------|-----------|
|       | 5         |



# Fawn table 200

Base Solid oak, Plate Solid oak



Version: 1-8-2021

## Basic info

|                     |                        |
|---------------------|------------------------|
| <b>Design</b>       | Salih Teskeredžić      |
| <b>Product size</b> | W: 200, D: 90, H: 75   |
| <b>Packaging</b>    | W: 212,5, D: 96, H: 15 |
| <b>Volume</b>       | 0,31 m <sup>3</sup>    |
| <b>Net weight</b>   | 46,6 kg                |
| <b>Gross weight</b> | 52 kg                  |

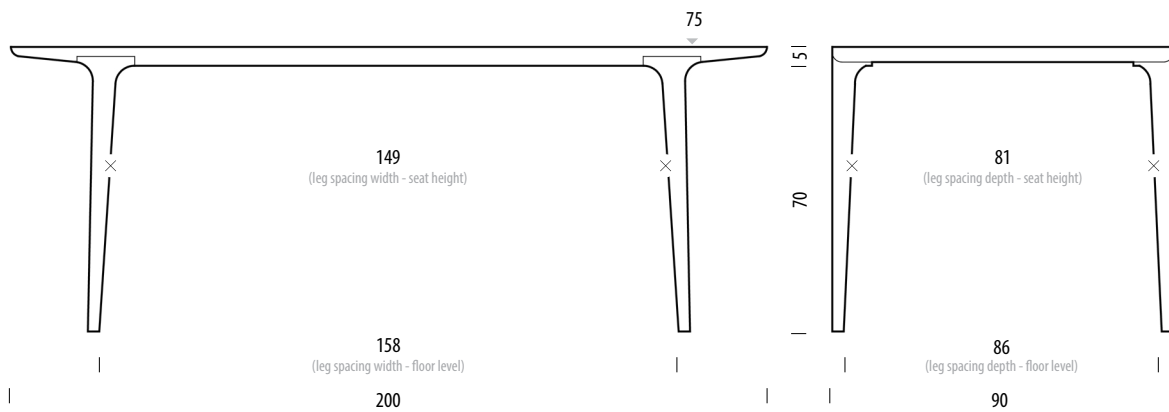


### Item no. 08F

| Leg spacing | Width | Depth | Height |
|-------------|-------|-------|--------|
| Floor level | 158   | 86    |        |
| Seat height | 149   | 81    |        |

Assembly 15 min / 2 persons

| Plate | Thickness |
|-------|-----------|
|       | 5         |



# Fawn table 220

Base Solid oak, Plate Solid oak



Version: 1-8-2021

## Basic info

|                     |                        |
|---------------------|------------------------|
| <b>Design</b>       | Salih Teskeredžić      |
| <b>Product size</b> | W: 220, D: 90, H: 75   |
| <b>Packaging</b>    | W: 232,5, D: 96, H: 15 |
| <b>Volume</b>       | 0,34 m <sup>3</sup>    |
| <b>Net weight</b>   | 51 kg                  |
| <b>Gross weight</b> | 57,5 kg                |

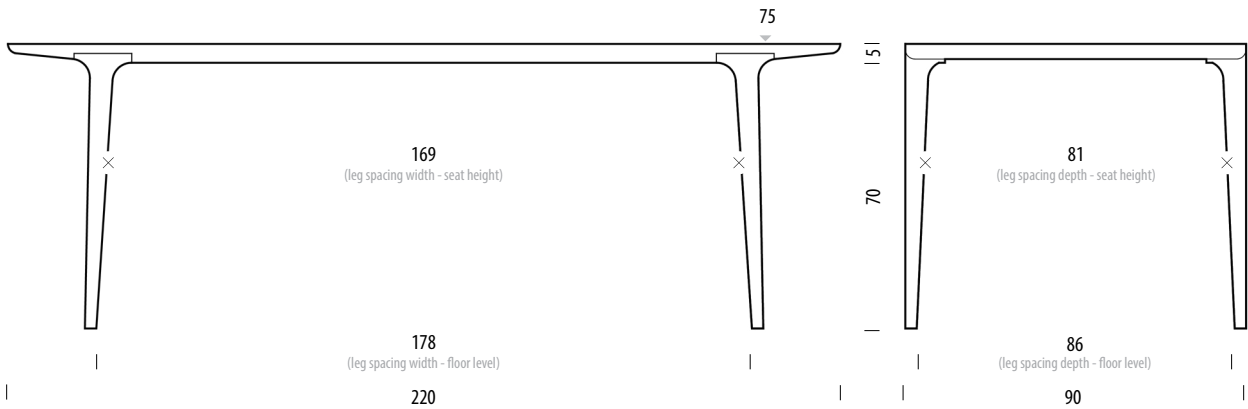


Item no. 090

| Leg spacing | Width | Depth | Height |
|-------------|-------|-------|--------|
| Floor level | 178   | 86    |        |
| Seat height | 169   | 81    |        |

Assembly 15 min / 2 persons

| Plate | Thickness |
|-------|-----------|
|       | 5         |



# Fawn table

Fawn chair | W: 48, D: 48, H: 79

0cm 100 140 160 180 200 220 240

Scale: 1:40

Version: 1-8-2021

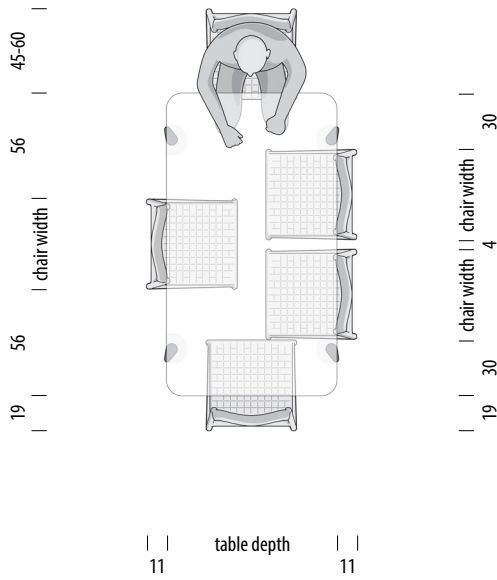
**Fawn table 160 x 90**  
Item no: 08D

**Size (cm)**  
W: 160 D: 90 H: 75

deepest chair fit  
4 chairs

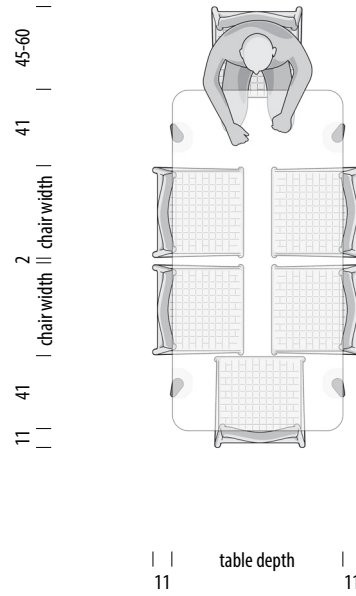


max. seating places  
6 chairs



**Fawn table 180 x 90**  
Item no: 08E

**Size (cm)**  
W: 180 D: 90 H: 75



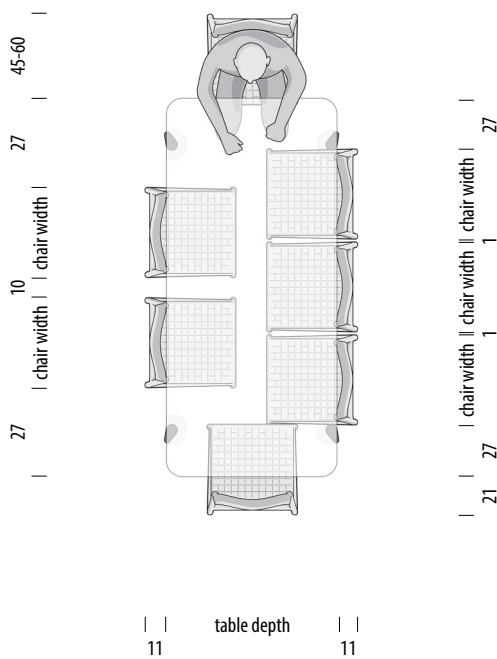
**Fawn table 200 x 90**  
Item no: 08F

**Size (cm)**  
W: 200 D: 90 H: 75

deepest chair fit  
6 chairs

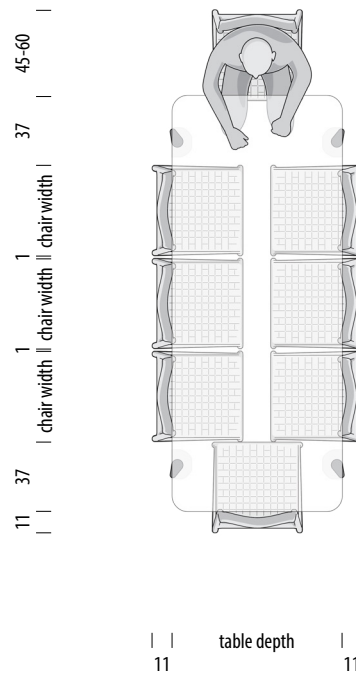


max. seating places  
8 chairs



**Fawn table 220 x 90**  
Item no: 090

**Size (cm)**  
W: 220 D: 90 H: 75



# Fawn table

Nora chair | W: 45, D: 47, H: 79

0cm 100 140 160 180 200 220 240

Scale: 1:40

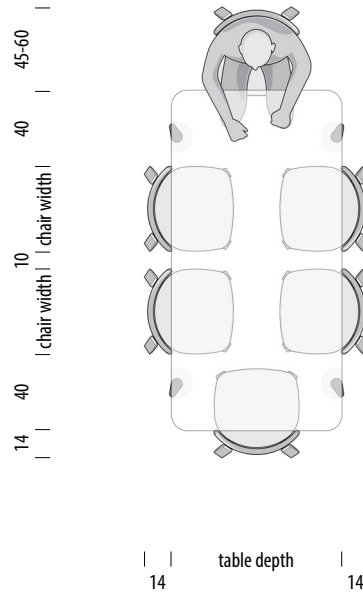
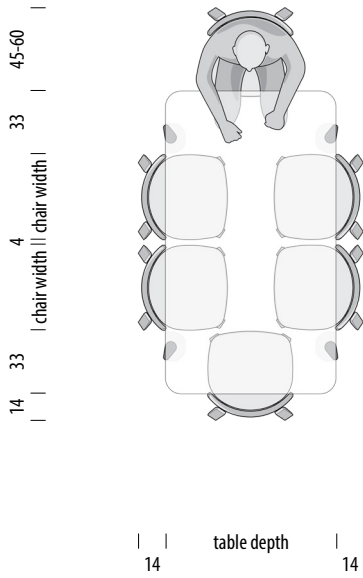
Version: 1-8-2021

**Fawn table 160 x 90**  
Item no: 08D

**Size (cm)**  
W: 160 D: 90 H: 75

**Fawn table 180 x 90**  
Item no: 08E

**Size (cm)**  
W: 180 D: 90 H: 75



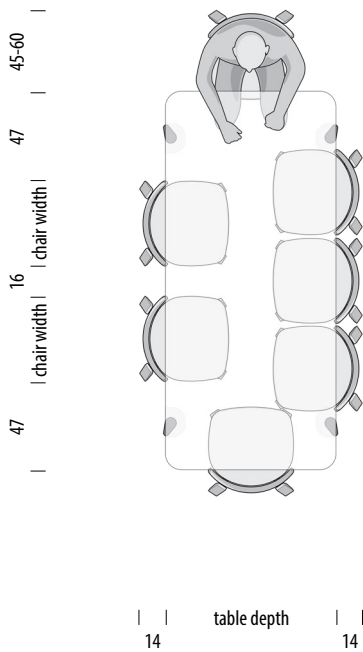
**Fawn table 200 x 90**  
Item no: 08F

**Size (cm)**  
W: 200 D: 90 H: 75

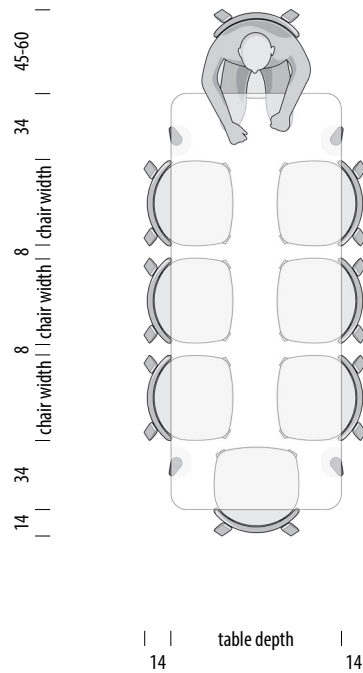
**Fawn table 220 x 90**  
Item no: 090

**Size (cm)**  
W: 220 D: 90 H: 75

deepest chair fit 6 chairs ↔ max. seating places 8 chairs



14 30 | chair width | chair width | chair width | 30







# Fawn table

Muna chair | W: 53, D: 53, H: 75

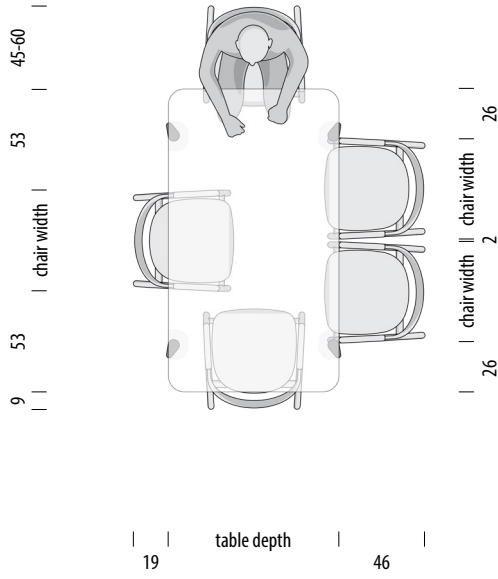
0cm 100 140 160 180 200 220 240

Scale: 1:40

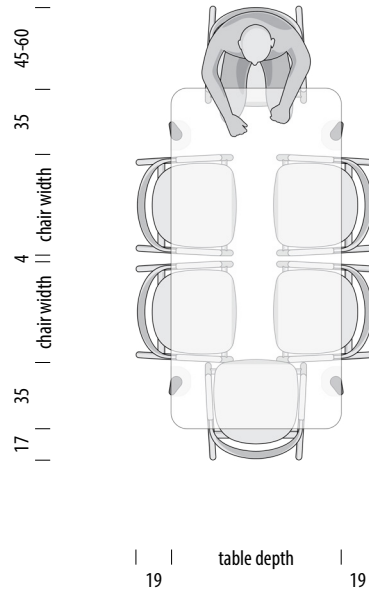
Version: 1-8-2021

**Fawn table 160 x 90** Size (cm)  
Item no: 08D W: 160 D: 90 H: 75

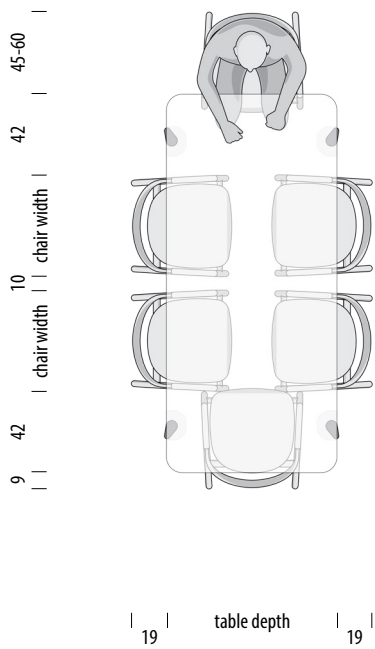
deepest chair fit 4 chairs ↔ max. seating places 6 chairs



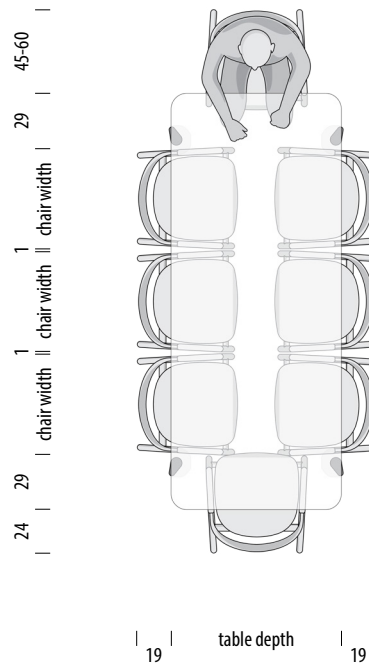
**Fawn table 180 x 90** Size (cm)  
Item no: 08E W: 180 D: 90 H: 75



**Fawn table 200 x 90** Size (cm)  
Item no: 08F W: 200 D: 90 H: 75



**Fawn table 220 x 90** Size (cm)  
Item no: 090 W: 220 D: 90 H: 75



# Fawn table

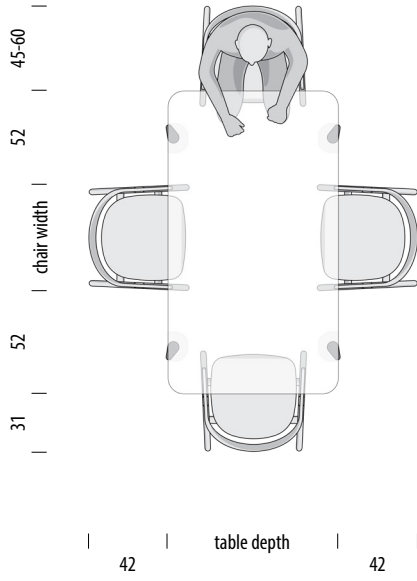
Ava chair | W: 56, D: 53, H: 77

0cm 100 140 160 180 200 220 240

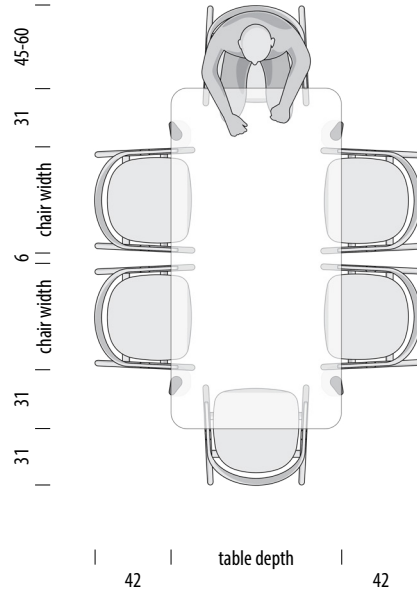
Scale: 1:40

Version: 1-8-2021

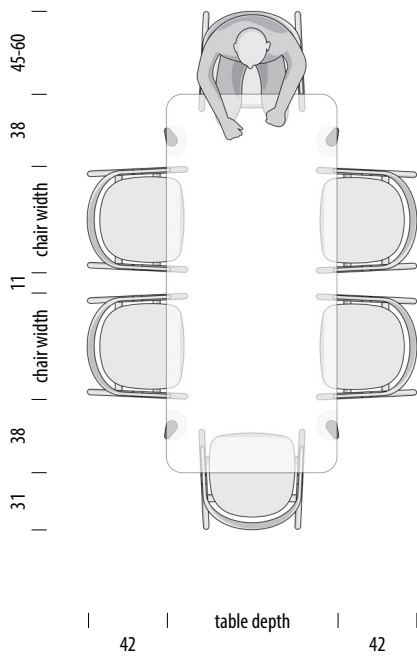
**Fawn table 160 x 90** Size (cm)  
Item no: 08D W: 160 D: 90 H: 75



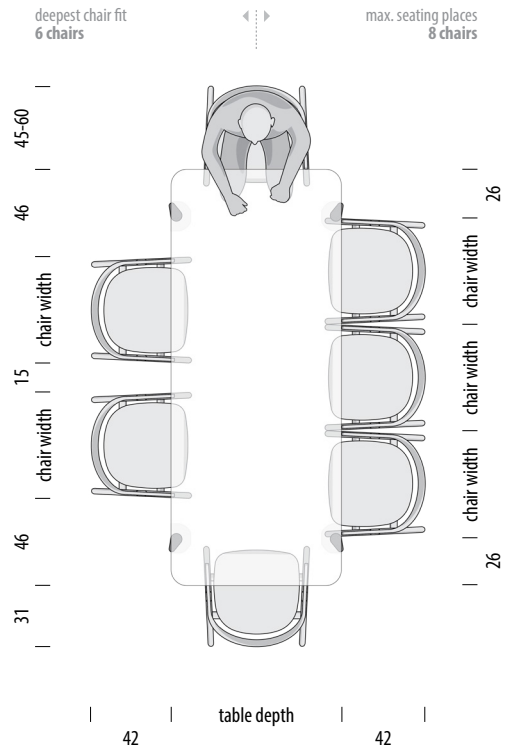
**Fawn table 180 x 90** Size (cm)  
Item no: 08E W: 180 D: 90 H: 75



**Fawn table 200 x 90** Size (cm)  
Item no: 08F W: 200 D: 90 H: 75



**Fawn table 220 x 90** Size (cm)  
Item no: 090 W: 220 D: 90 H: 75



# Fawn table

Ava bench | W: 120, D: 53, H: 77,5

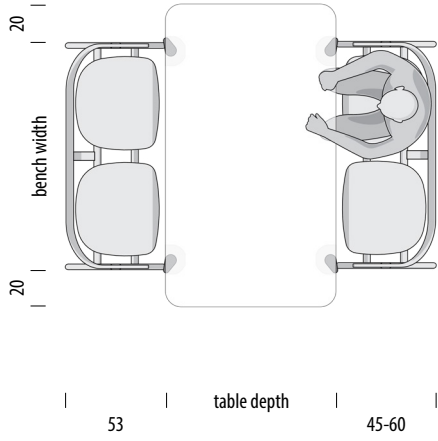
0cm 100 140 160 180 200 220 240

Scale: 1:40

Version: 1-8-2021

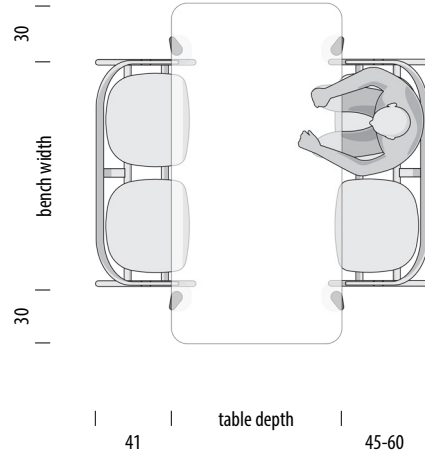
**Fawn table 160 x 90**  
Item no: 08D

**Size (cm)**  
W: 160 D: 90 H: 75



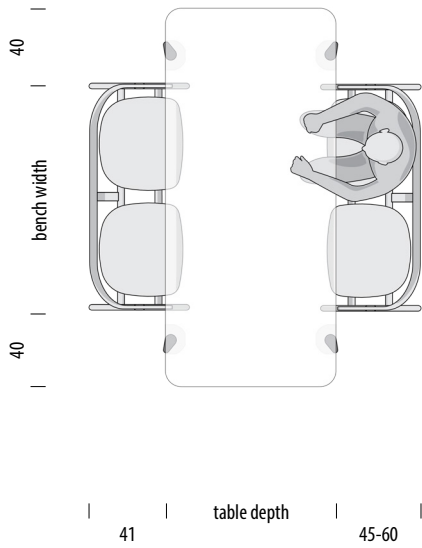
**Fawn table 180 x 90**  
Item no: 08E

**Size (cm)**  
W: 180 D: 90 H: 75



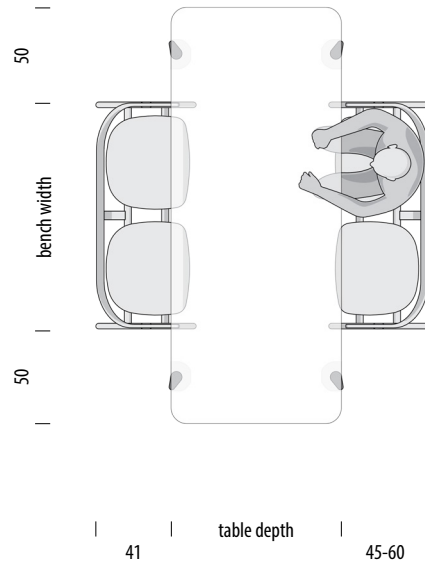
**Fawn table 200 x 90**  
Item no: 08F

**Size (cm)**  
W: 200 D: 90 H: 75



**Fawn table 220 x 90**  
Item no: 090

**Size (cm)**  
W: 220 D: 90 H: 75

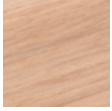


# Fawn table

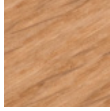
Available materials

**Body** | Solid oak

---



Oiled  
1015  
White oil



Oiled  
1505  
Natural oil