



GAZZDA

---

# Klupa Bench

Product sheet

design by  
**Salih Teskeredžić**



# Klupa Bench

## Product facts

### Materials

---

Body	Solid oak
Finish	Hardwax oil
Seat	Cotton webbing

### Technical features

---

#### Body

Klupa's body is made out of solid wood. Product elements are connected with characteristic and visible wedged mortise and tenon joints. Felten gliders are attached to the chair legs and are suitable for most flooring options. The seat is attached to the body through matte black plastic seat spacers.

#### Seat

The lattice-woven cotton webbing is stretched over the seat frame and attached on its inner side to the benches body. For further information please see Available materials and colours page in this document.

#### Finish

Wooden parts are available in two plant-based Hardwax oil finishes (colours), which retain the wood's natural state, as a white or natural oil.

#### Cleaning

Please see [Product](#) or [Material](#) page on our website.

### Notes to consider

---

#### Variations

Natural variations in wood color and surface may occur. Regular maintenance will ensure the wood preserves its authentic beauty and can last for generations.

#### Product changes

Please note that Gazzda reserves the right to alter construction and design without notice.

#### Dimensions (tolerances)

The dimensions shown are indicative, they may vary due to the natural properties of wood, season, or manufacturing processes. Deviations from the specified size may occur, usually no more than 1 cm.

For all additional inquiries regarding Klupa Bench please feel free to [contact us](#).

# Klupa Bench 120

Base Solid Oak, Seat Webbing

Version: 16-2-2023

## Basic info

**Design** Salih Teskeredžić

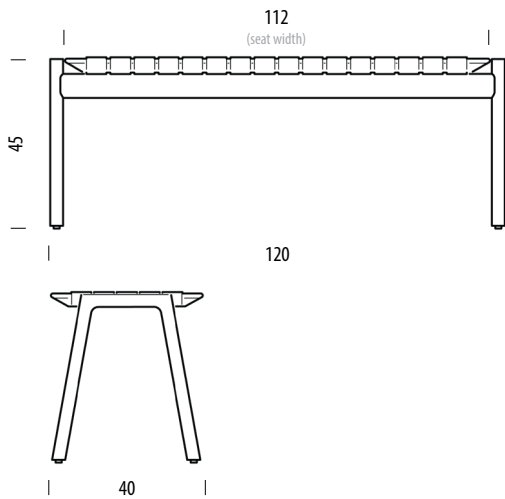
**Product size** W: 120, D: 40, H: 45

**Packaging** W: 123, D: 48, H: 53

**Volume** 0,30 m<sup>3</sup>

**Net weight** 9,0 kg

**Gross weight** 12,0 kg



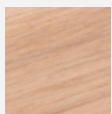
### Item no. 556

Assembled product

Dimensions	Width	Depth	Height
Seat	112	40	45

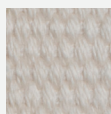
## Selected options

### Body

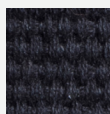


Oiled  
1015  
White oil

### Seat



Cotton webbing  
2001  
White



Cotton webbing  
2001  
Black

Indicated materials and colours are selected by Gazzda as best-selling items and their lead time is shorter than of made-to-order options. Please consult the current price list or our customer service for the lead time of selected options.

For other material options, please see the Available materials section at the end of the product sheet.

# Klupa Bench 160

Base Solid Oak, Seat Webbing

Version: 16-2-2023

## Basic info

**Design** Salih Teskeredžić

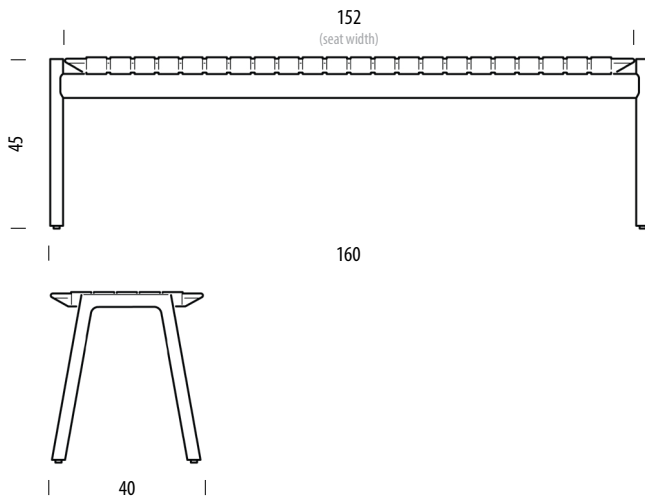
**Product size** W: 160, D: 40, H: 45

**Packaging** W: 163, D: 48, H: 53

**Volume** 0,41 m<sup>3</sup>

**Net weight** 11,4 kg

**Gross weight** 14,4 kg



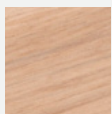
## Item no. 557

Assembled product

Dimensions	Width	Depth	Height
Seat	152	40	45

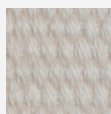
## Selected options

### Body

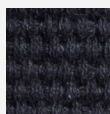


Oiled  
1015  
White oil

### Seat



Cotton webbing  
2001  
White



Cotton webbing  
2001  
Black

Indicated materials and colours are selected by Gazzda as best-selling items and their lead time is shorter than of made-to-order options. Please consult the current price list or our customer service for the lead time of selected options.

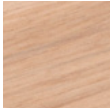
For other material options, please see the Available materials section at the end of the product sheet.

# Klupa Bench

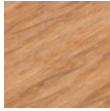
Available materials

## Body | Solid oak

---



Oiled  
1015  
White oil



Oiled  
1505  
Natural oil

## Seat | Cotton webbing

---



2001  
White



4555  
Black