

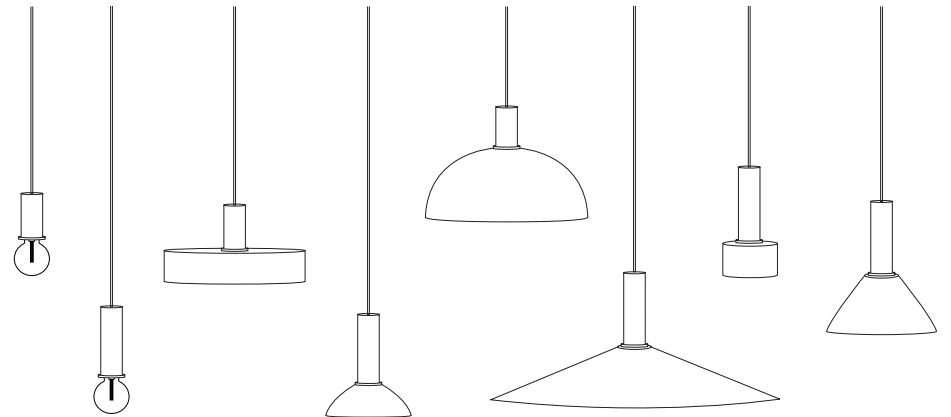
COLLECT LIGHTING

ASSEMBLY MANUAL

5106 - 5108 - 5110 - 5112 - 5116 - 5129 - 5131 - 100113-502

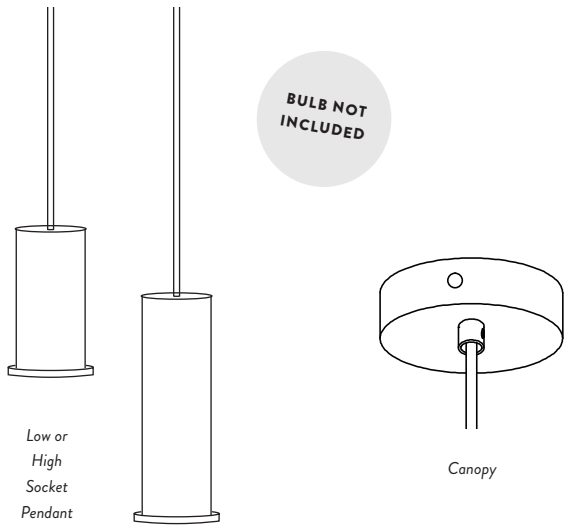
5107 - 5109 - 5111 - 5113 - 5117 - 5130 - 5132 - 100115-502

fermliving.com

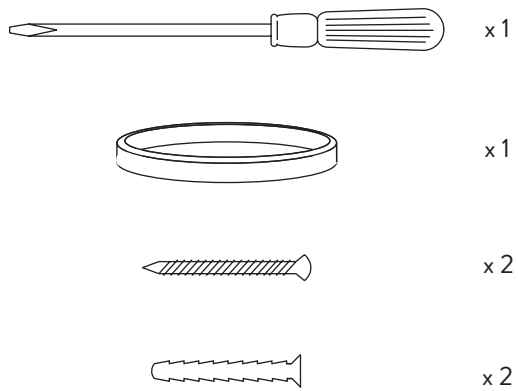


ferm
L I V I N G

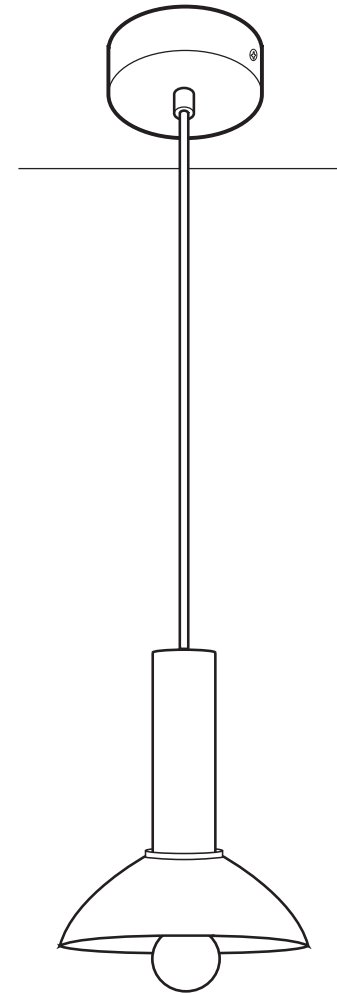
CONTENT OF THE BOX



In the box, you will find one of the Collect Lighting socket pendants with a matching canopy - and:

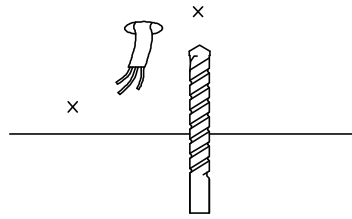


ASSEMBLY PROCESS



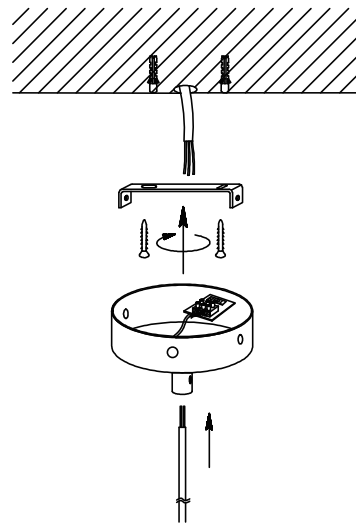
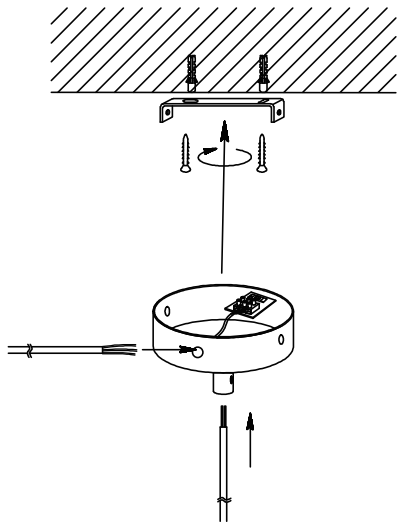
A

ASSEMBLY PROCESS



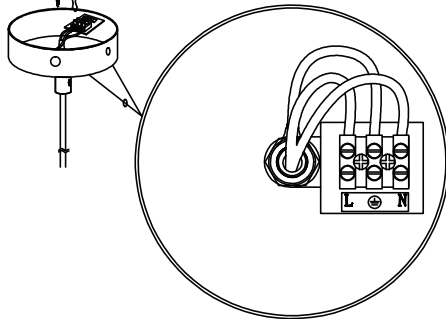
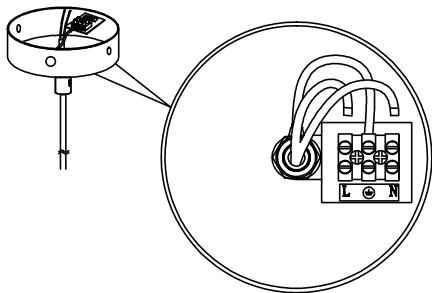
OPTION B1

OPTION B2



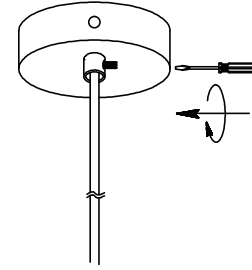
C

D



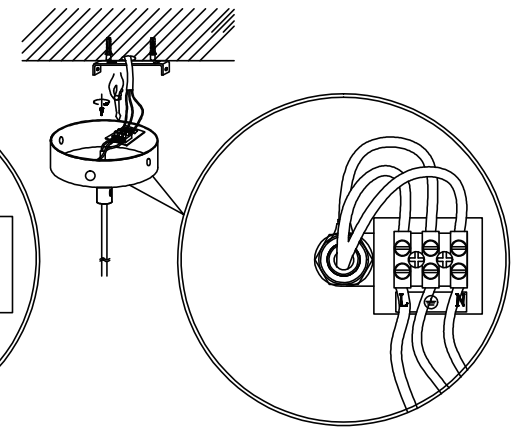
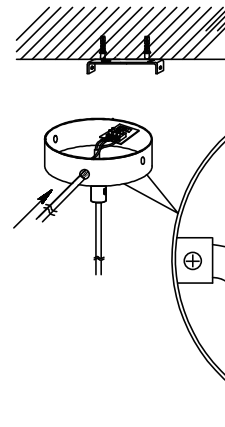
E

ASSEMBLY PROCESS

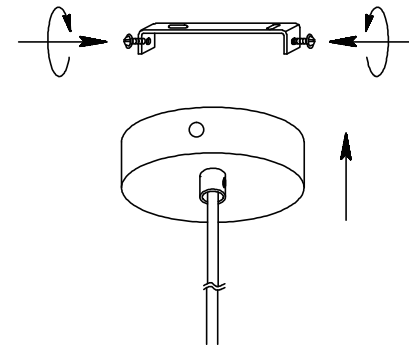


OPTION F1

OPTION F2

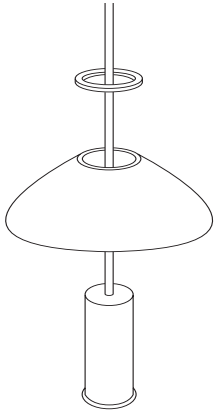


G

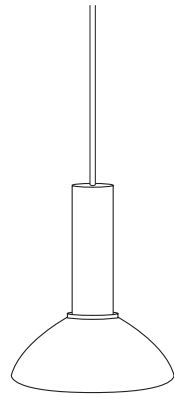


ASSEMBLY PROCESS

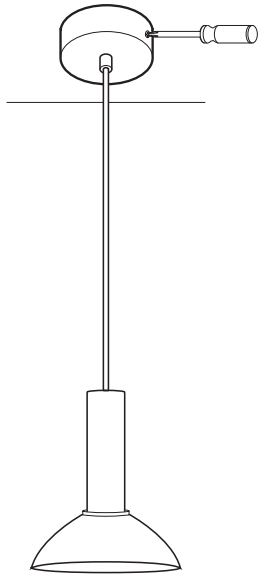
1.



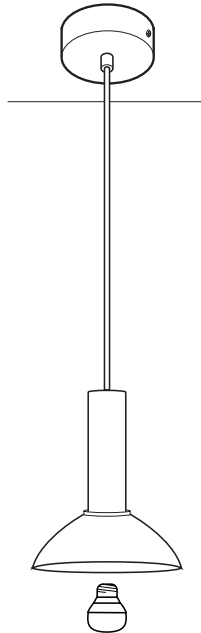
2.



3.



4.



LAMPS RATING & BULB SPECIFICATION

Voltage : 220-240V

Frequency : 50Hz

IP Rating : IP20

Classification : Class I

Socket : E27 socket base.

Recommended light source :
Max. 25 W / CFL
Max. 13 W LED G95 or G125

Energy efficiency : The luminaire is compatible with bulb of the energy classes: A++-E.

Dimmable : Yes, when using a dimmable bulb

Certification : CE approved: This product has been assessed and complies with the essential requirements of the relevant European directives.

Assembly : Due to earth connection (Class I) mounting of this lamp should be carried out by a licenced electrician. For option 1, the cable need to be VDE certified H03VV-F3*0.75MM or higher class with diameter 6.2 mm max.

Attention : If the external flexible cable or cord of this luminaire is damaged, it shall be exclusively replaced by the manufacturer or his service agent or a similar qualified person in order to avoid a hazard.

Care & cleaning : Clean with a soft dry cloth. Always switch off the electricity before cleaning.

