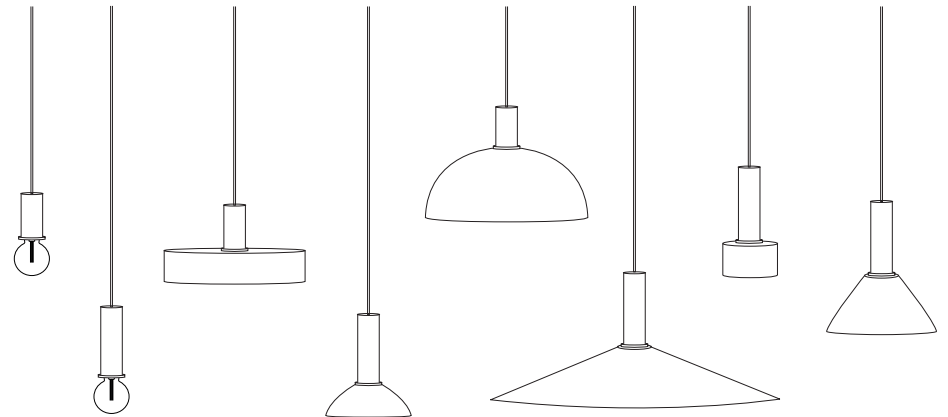


# COLLECT LIGHTING

## ASSEMBLY MANUAL

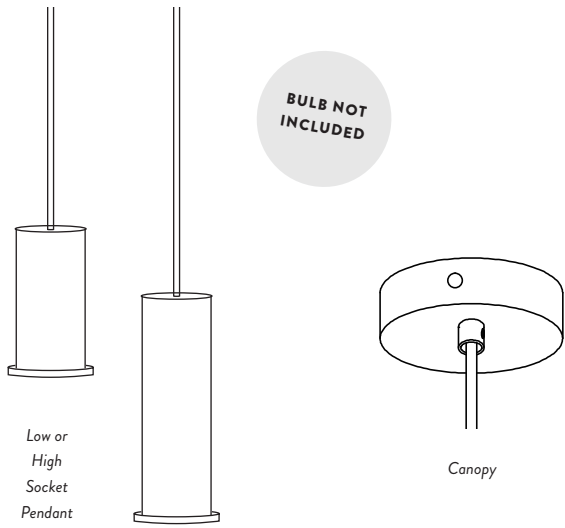
5106 - 5108 - 5110 - 5112 - 5116 - 5129 - 5131 - 100113-502  
5107 - 5109 - 5111 - 5113 - 5117 - 5130 - 5132 - 100115-502

[fermliving.com](http://fermliving.com)

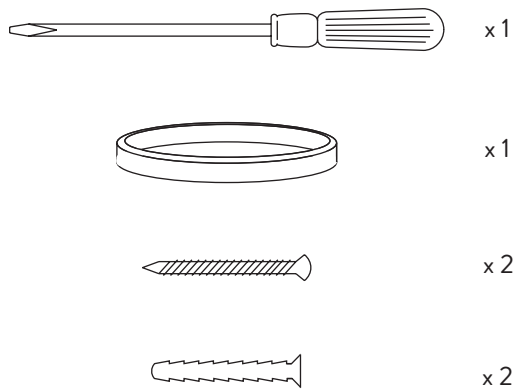


ferm  
L I V I N G

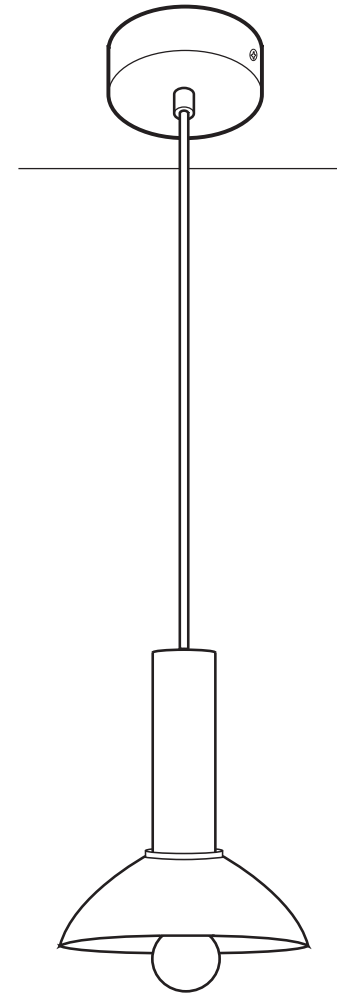
## CONTENT OF THE BOX



In the box, you will find one of the Collect Lighting socket pendants with a matching canopy - and:

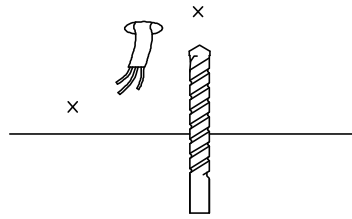


## ASSEMBLY PROCESS



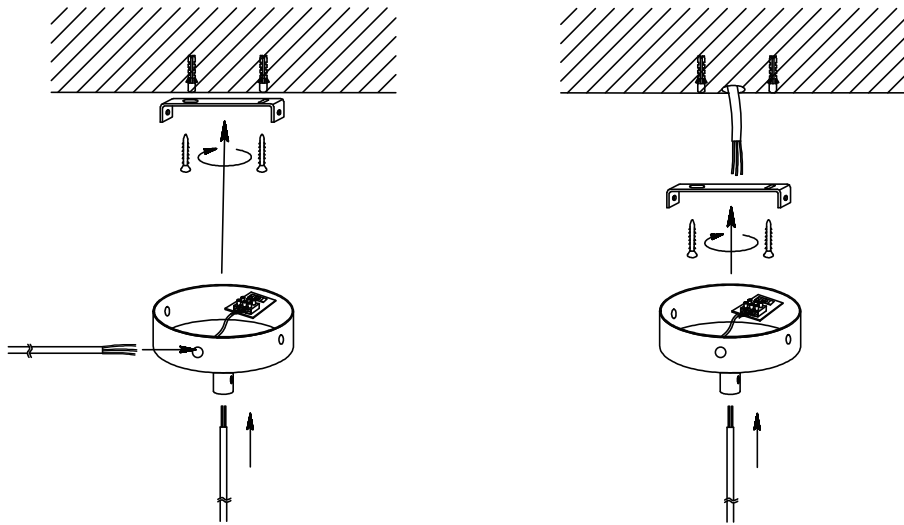
A

ASSEMBLY PROCESS



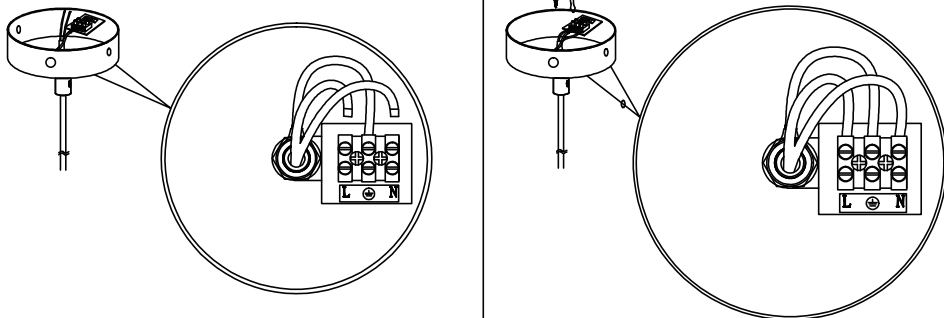
OPTION B1

OPTION B2



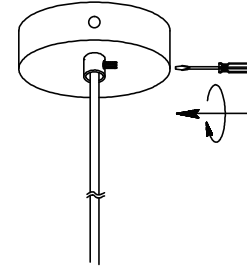
C

D



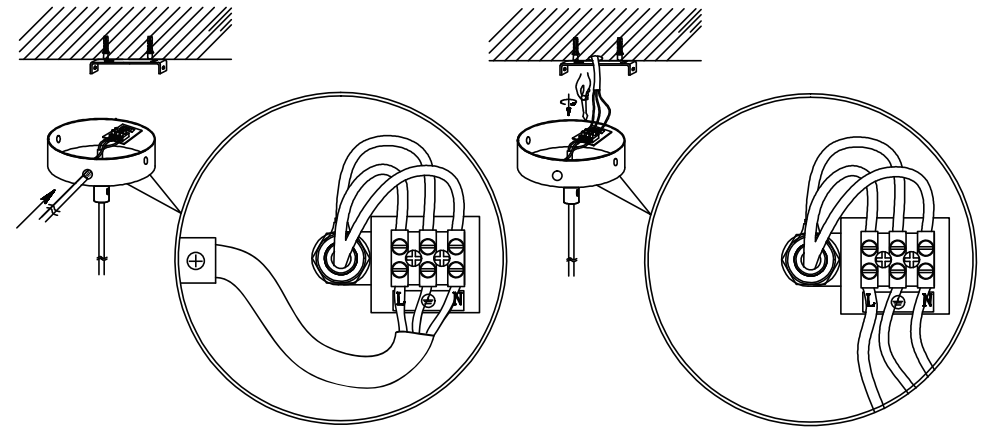
E

ASSEMBLY PROCESS

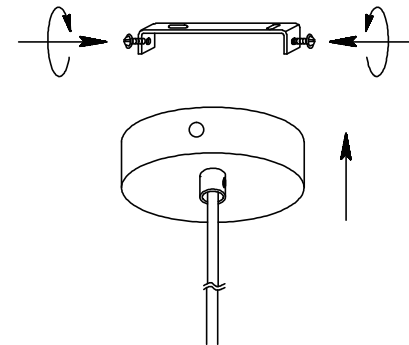


OPTION F1

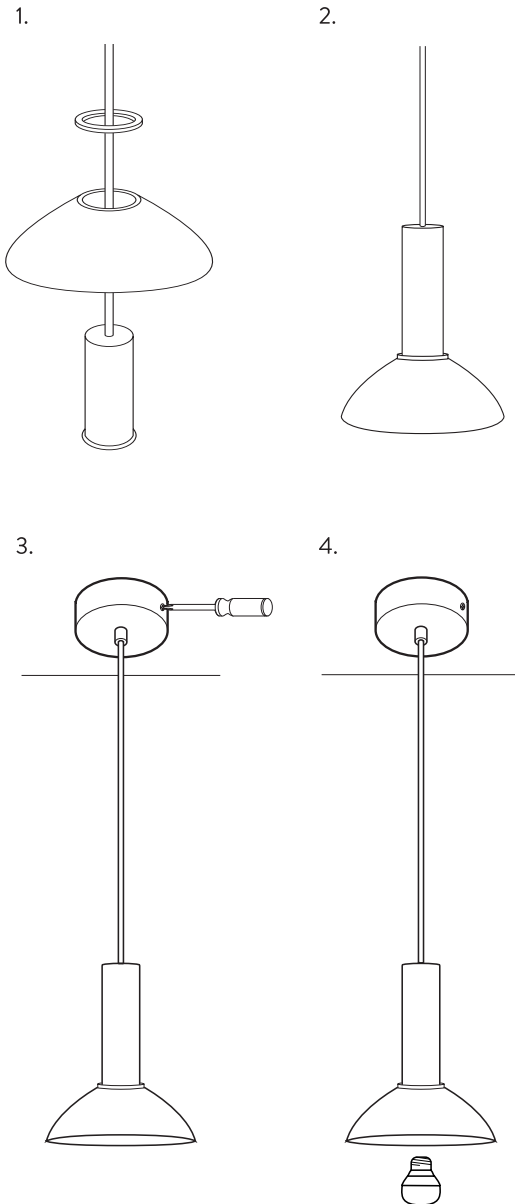
OPTION F2



G



## ASSEMBLY PROCESS



## LAMPS RATING & BULB SPECIFICATION

<b>Voltage :</b>	220-240V
<b>Frequency :</b>	50Hz
<b>IP Rating :</b>	IP20
<b>Classification :</b>	Class I
<b>Socket :</b>	E27 socket base.
<b>Recommended light source :</b>	Max. 25 W / CFL Max. 13 W LED G95 or G125
<b>Energy efficiency :</b>	The luminaire is compatible with bulb of the energy classes: A++-E.
<b>Dimmable :</b>	Yes, when using a dimmable bulb
<b>Certification :</b>	CE approved: This product has been assessed and complies with the essential requirements of the relevant European directives.

<b>Assembly :</b>	Due to earth connection (Class I) mounting of this lamp should be carried out by a licenced electrician. For option 1, the cable need to be VDE certified H03VV-F3*0.75MM or higher class with diameter 6.2 mm max.
<b>Attention :</b>	If the external flexible cable or cord of this luminaire is damaged, it shall be exclusively replaced by the manufacturer or his service agent or a similar qualified person in order to avoid a hazard.
<b>Care &amp; cleaning :</b>	Clean with a soft dry cloth. Always switch off the electricity before cleaning.

