



GAZZDA

Mu Coffee Table

Product sheet

design by
Mustafa Čohadžić



Mu Coffee Table

Product facts

Materials

Body	Solid oak
Finish	Hardwax oil

Technical features

Body

The Mu Coffee Table is crafted entirely from solid oak wood. The table top features a routed plate with a subtle raised edge. Wooden stiffeners are included on the bottom side of the tabletop to prevent minor changes in the dimensions of the wood due to hygroscopy.

Legs

Table legs are demountable and are also made out of solid oak wood.

Finish

Available in two plant-based oil finishes, in white pigmented colour and natural colour of the wood.

Cleaning

Please see [Product](#) or [Material](#) page on our website.

Notes to consider

Variations

Natural variations in wood color and surface may occur. Regular maintenance will ensure the wood preserves its authentic beauty and can last for generations.

Product changes

Please note that Gazzda reserves the right to alter construction and design without notice.

Dimensions (tolerances)

The dimensions shown are indicative, they may vary due to the natural properties of wood, season, or manufacturing processes. Deviations from the specified size may occur, usually no more than 1 cm.

For all additional inquiries regarding Mu Coffee Table please feel free to [contact us](#).

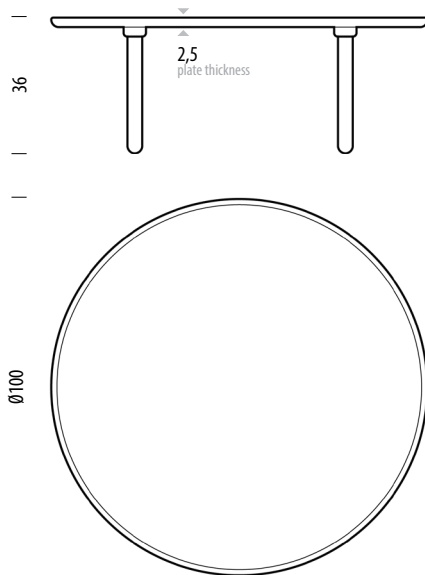
Mu Coffee Table Ø100

Body Solid oak

Version: 4-4-2023

Basic info

Design	Mustafa Čohadžić
Product size	W: Ø100, , H: 36
Packaging	W: 105, D: 113, H: 8
Volume	0,1 m ³
Net weight	14,1 kg
Gross weight	17,5 kg



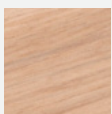
Item no. 584

Assembly 5 min / 1 person

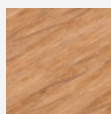
Plate	Thickness (cm)
	2,5

Selected options

Body



Oiled
1015
White oil



Oiled
1505
Natural oil

Indicated materials and colours are selected by Gazzda as best-selling items and their lead time is shorter than of made-to-order options. Please consult the current price list or our customer service for the lead time of selected options.

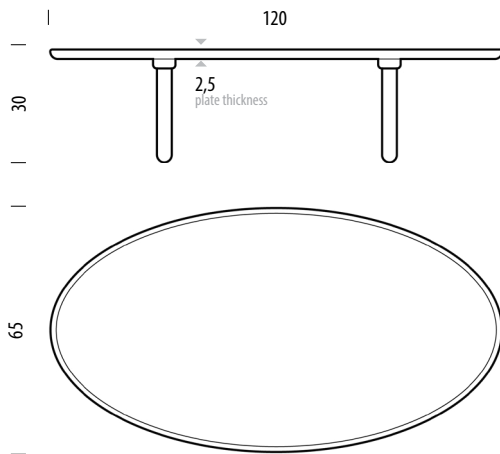
Mu Coffee Table 120 x 65

Body Solid oak

Version: 4-4-2023

Basic info

Design	Mustafa Čohadžić
Product size	W: 120, D: 65, H: 30
Packaging	W: 125, D: 77, H: 8
Volume	0,08 m ³
Net weight	10,8 kg
Gross weight	13,8 kg



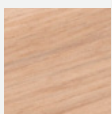
Item no. 582

Assembly 5 min / 1 person

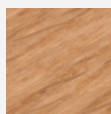
Plate	Thickness (cm)
	2,5

Selected options

Body



Oiled
1015
White oil



Oiled
1505
Natural oil

Indicated materials and colours are selected by Gazzda as best-selling items and their lead time is shorter than of made-to-order options. Please consult the current price list or our customer service for the lead time of selected options.

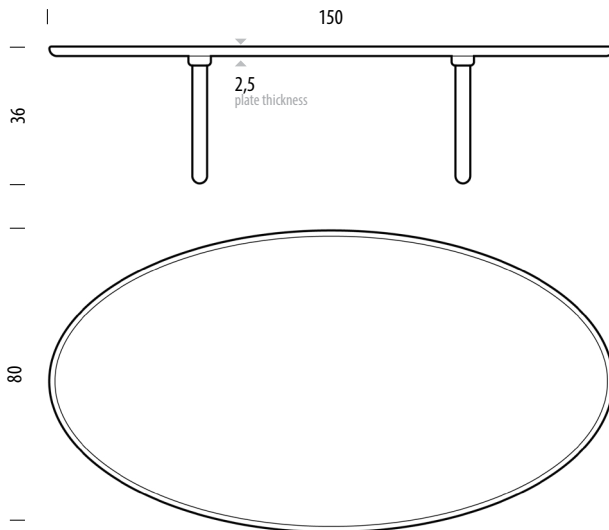
Mu Coffee Table 150 x 80

Body Solid oak

Version: 4-4-2023

Basic info

Design	Mustafa Čohadžić
Product size	W: 150, D: 80, H: 36
Packaging	W: 155, D: 93, H: 8
Volume	0,12 m ³
Net weight	15,5 kg
Gross weight	19,5 kg



Item no. 583

Assembly 5 min / 1 person

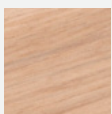
Plate

Thickness (cm)

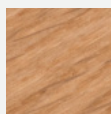
2,5

Selected options

Body



Oiled
1015
White oil



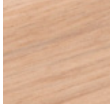
Oiled
1505
Natural oil

Indicated materials and colours are selected by Gazzda as best-selling items and their lead time is shorter than of made-to-order options. Please consult the current price list or our customer service for the lead time of selected options.

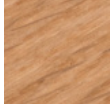
Mu Coffee Table

Available materials

Body | Solid oak



Oiled
1015
White oil



Oiled
1505
Natural oil