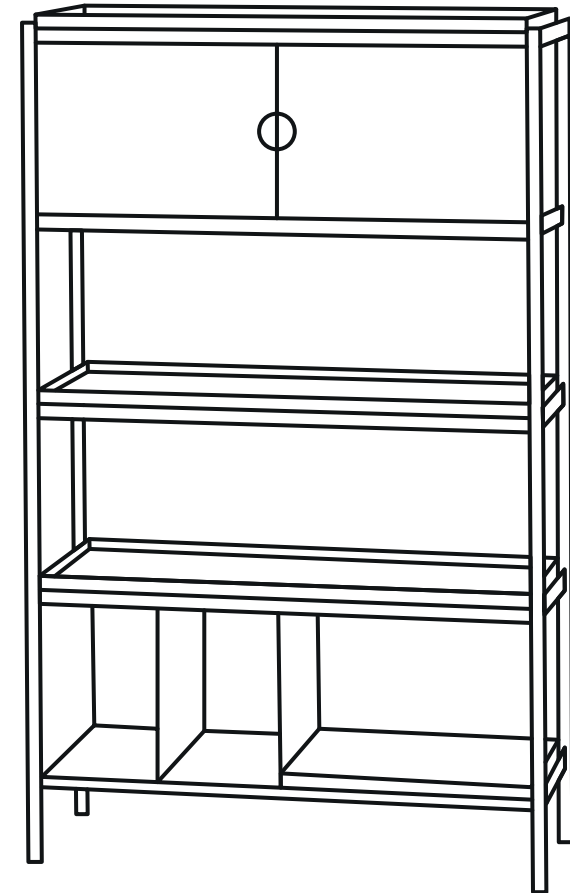


POLSPOTTEN

instruction manual



Toss Wide Cabinet

design by POLSPOTTEN studio
300-040-020,021,022

“ Thank you for choosing a POLSPOTTEN product.
To ensure safe and satisfactory use of this product, please
carefully read the below instructions beforehand. ”

general information

This cabinet is made of steel, with different metal shelves.
The frame and shelves are powder coated.
The cabinet is made for indoor use only.

care instructions

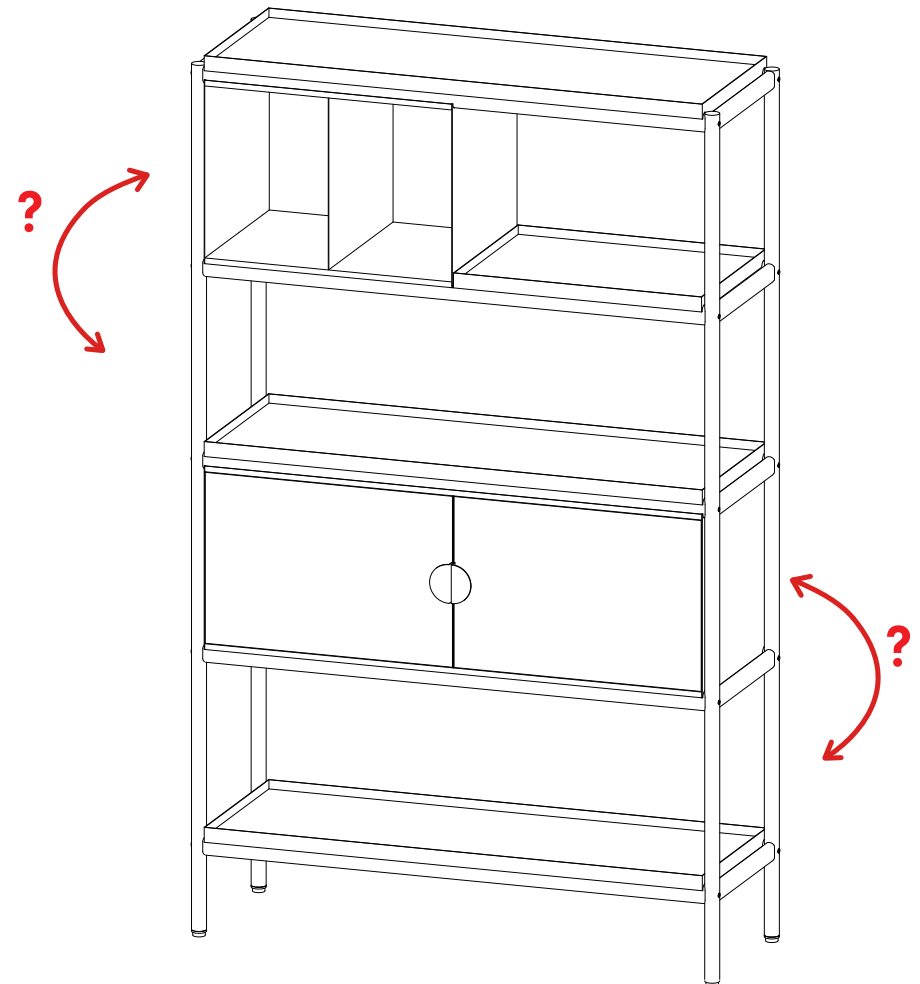
- Clean by wiping with a damp cloth and immediately wipe dry with a soft dry cloth.
- Avoid contact with abrasive, alcohol and solvent based substances or cleaning agents, they can damage the surface.
- The use of furniture polish or sprays is neither necessary nor recommended.
- Do not strike with hard or sharp items.

safety note

- Always completely lift the furniture when moving it. Handle and move it with care as improper handling may cause damage or injury.
- Heavy/larger furniture pieces should be moved by two persons.
- Ensure the furniture is always placed level on its legs.
- Do not stand, climb or jump on the furniture.
- Please keep these instructions for future reference.

Toss Cabinet done! Or not?

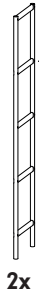
“ The Toss Cabinet is designed in
a way to give you the possibility
to rearrange the shelves and storage
cubes to your own preference .
Give it a try! ”



step 1



“Do NOT tighten al the bolts to full tention, the beams need to be able to move a little bit.,”



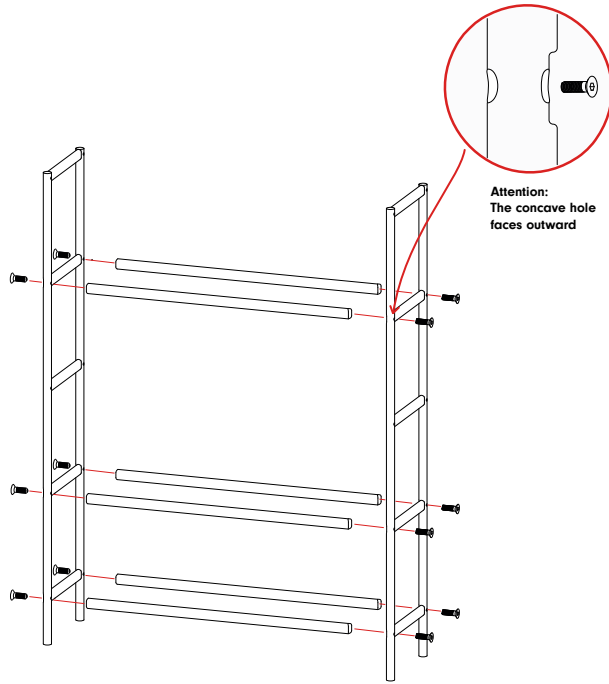
2x



12x



6x



Attention:
The concave hole
faces outward

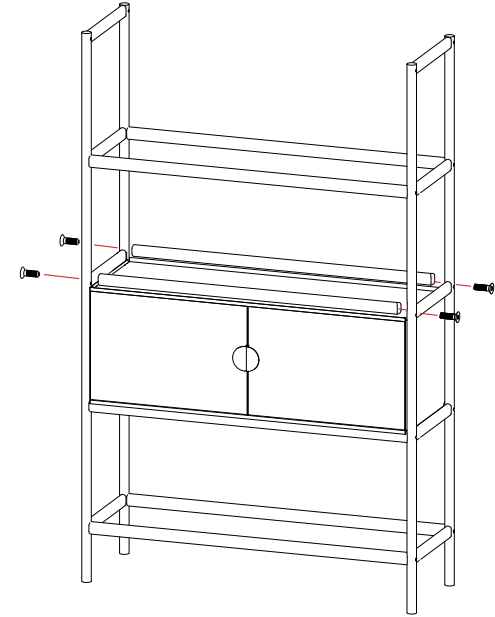
step 3



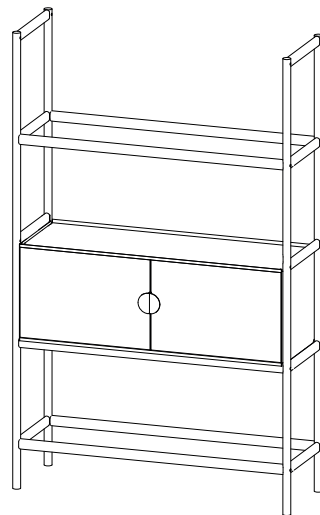
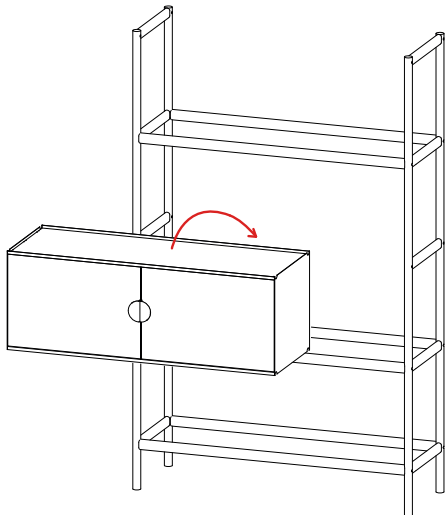
4x



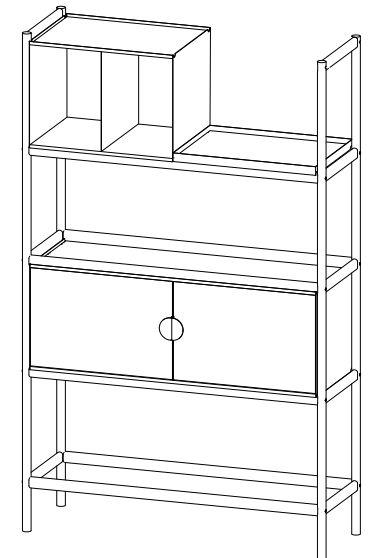
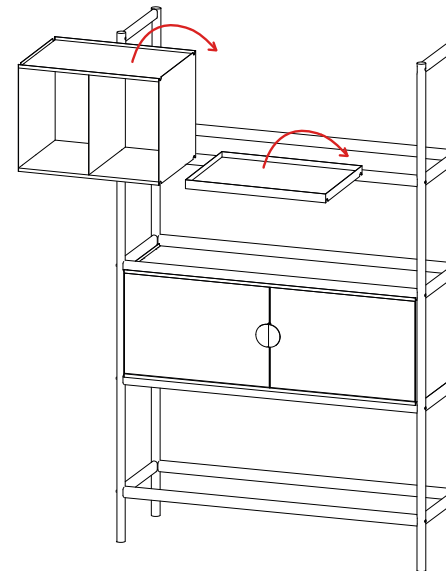
2x



step 2



step 4



“ See next page
for step 3, 4, 5 & 6,, ”
→

step 5



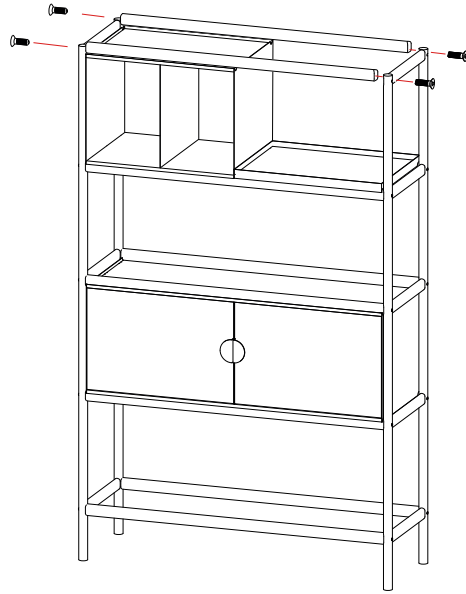
“ When the last beams are placed, then you may tighten all the bolts to full tention. „



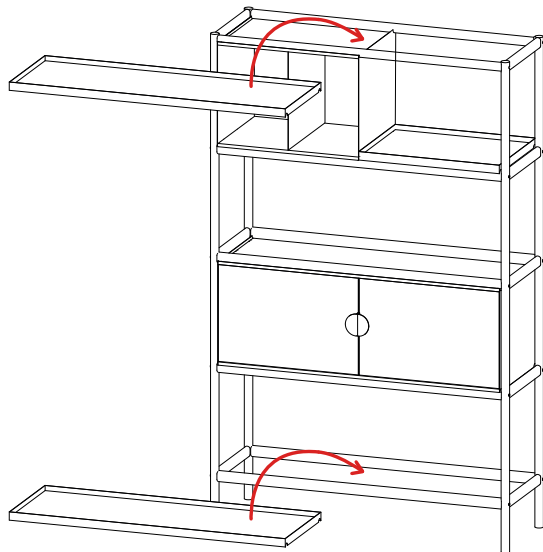
4x



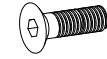
2x



step 6



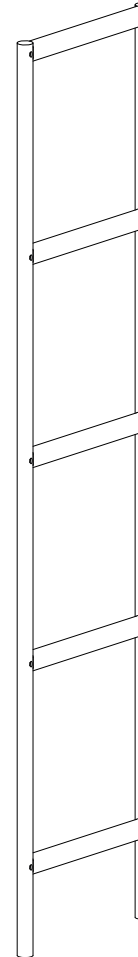
components & parts



20x M6 bolt



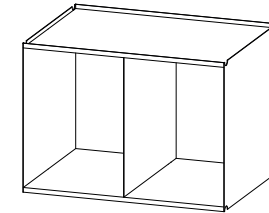
1x Allen Key



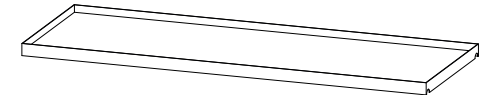
x2



x1



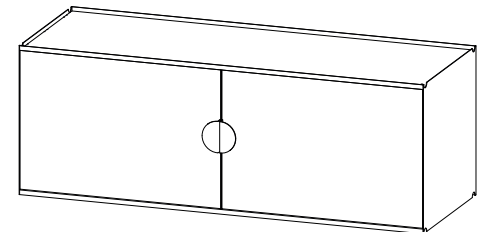
x1



x3



x10



x1