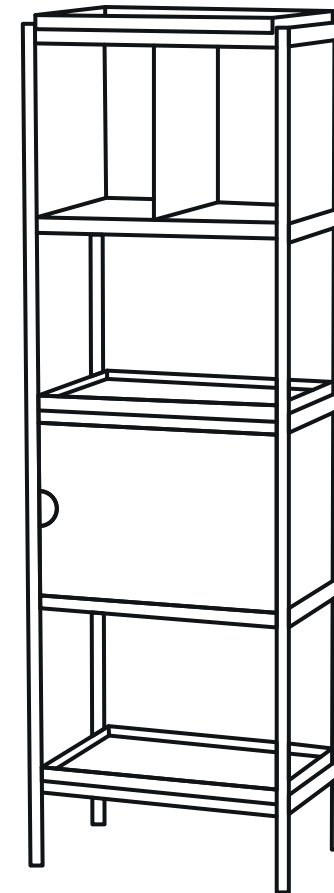


POLSPOTTEN

instruction manual



Toss Tall Cabinet

design by **POLSPOTTEN studio**
300-040-022,023,024

“ Thank you for choosing a POLSPOTTEN product.
To ensure safe and satisfactory use of this product, please
carefully read the below instructions beforehand. ”

general information

This cabinet is made of steel, with different metal shelves.
The frame and shelves are powder coated.
The cabinet is made for indoor use only.

care instructions

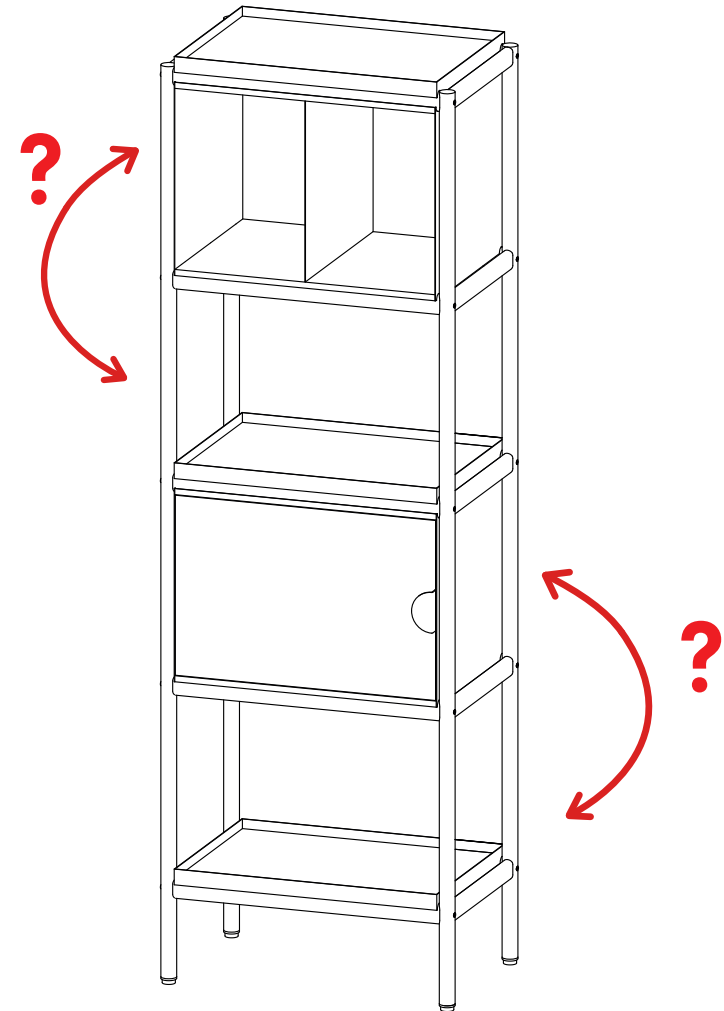
- Clean by wiping with a damp cloth and immediately wipe dry with a soft dry cloth.
- Avoid contact with abrasive, alcohol and solvent based substances or cleaning agents, they can damage the surface.
- The use of furniture polish or sprays is neither necessary nor recommended.
- Do not strike with hard or sharp items.

safety note

- Always completely lift the furniture when moving it. Handle and move it with care as improper handling may cause damage or injury.
- Heavy/larger furniture pieces should be moved by two persons.
- Ensure the furniture is always placed level on its legs.
- Do not stand, climb or jump on the furniture.
- Please keep these instructions for future reference.

Toss Cabinet done! Or not?

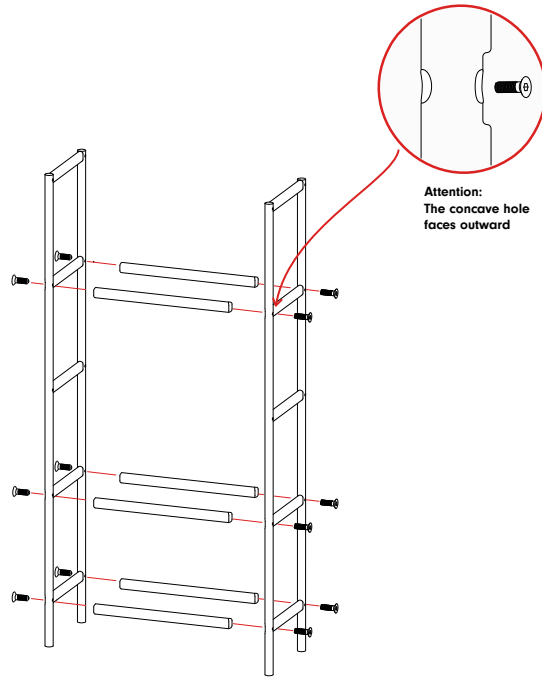
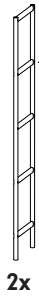
“ The Toss Cabinet is designed in
a way to give you the possibility
to rearrange the shelves and storage
cubes to your own preference .
Give it a try! ”



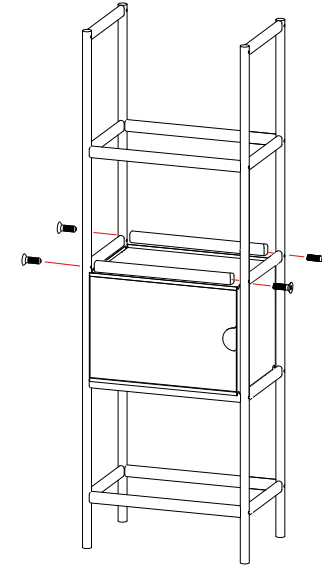
step 1



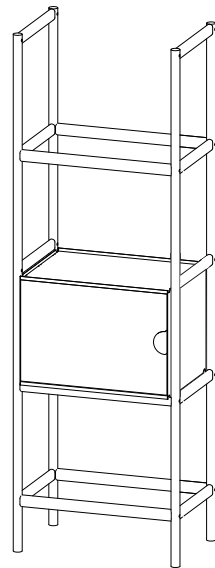
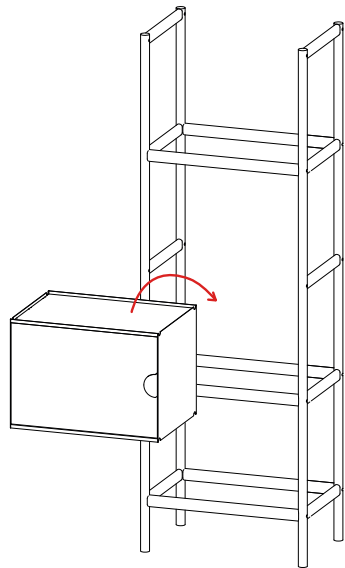
“Do NOT tighten all the bolts to full tension, the beams need to be able to move a little bit.”



step 3



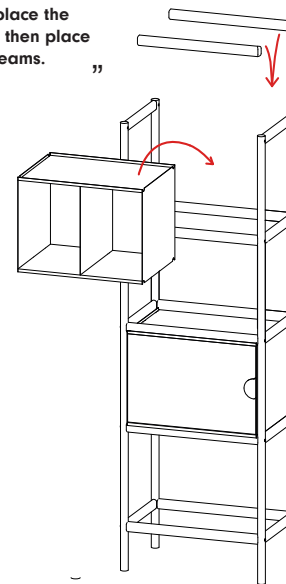
step 2



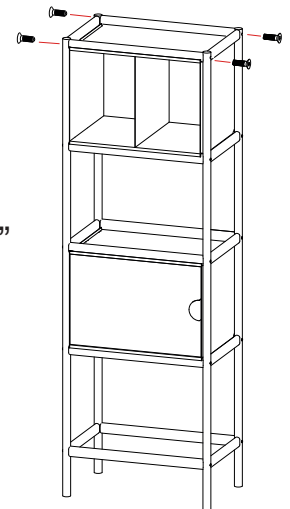
“See next page for step 3, 4, 5 & 6.”

step 4 & 5

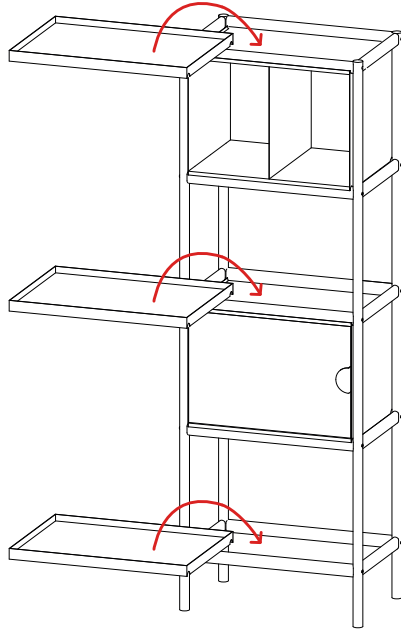
“First place the cube, then place the beams.”



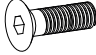

“When the last beams are placed, then you may tighten ALL the bolts to full tension.”

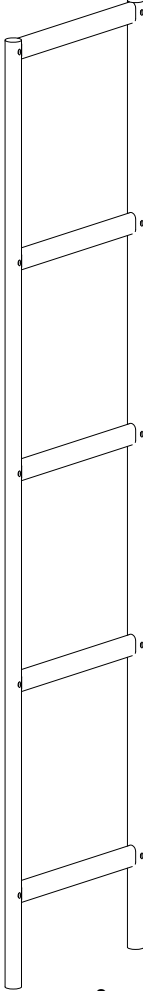

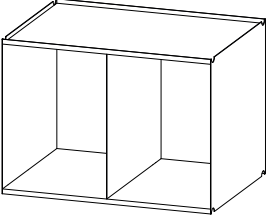
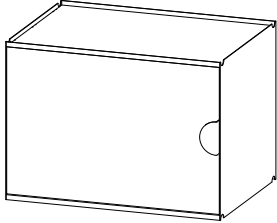



step 6



components & parts

-  **20x M6 bolt**
-  **1x Allen Key**

-  **x2**
-  **x3**
-  **x1**
-  **x1**
-  **x10**