

TREASURES | 2 DOOR

Designed by Jonas Søndergaard



DIMENSIONS

W x H x D: 109 x 75 x 43 cm / 42.9 x 29.5 x 16.9"



MATERIAL

Solid oak, Particle board and Steel



CONSTRUCTION

Frame: Veneered surfaces and solid edges with clear coat wood finish **Legs:** Solid oak. Legs attached with bolts. **Plate:** Veneered chip board with solid oak lipping. **Fabric:** Polyester (Kingston). Find more information in the Kingston fabric spec sheet



PACKAGING DIMENSIONS

Box 1: (L x W x H):

16 x 115.5 x 54.5 cm / 6.3 x 45.5 x 21.5"

Box 2: (L x W x H): 16.5 x 99 x 49 cm / 6.5 x 39 x 19.3"



ASSEMBLY TIME

40 min - video guide at umage.com



MEDIA KIT

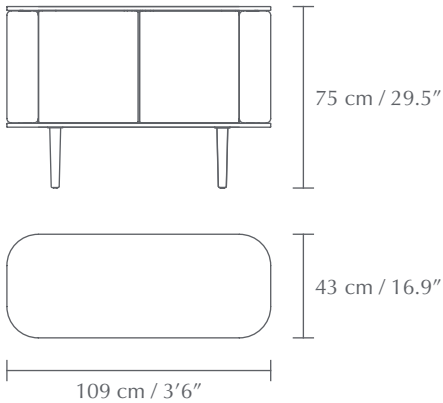
Photos, 3D models, 2D drawings

Download at umagepress.com



ORDERING INFORMATION

Oak silver grey	#5622+5622-1
Oak slate grey	#5622+5622-2
Oak venetian cane	#5622+5622-3
Oak artificial leather	#5622+5622-4
Dark oak silver grey	#5774+5774-1
Dark oak slate grey	#5774+5774-2
Dark oak venetian cane	#5774+5774-3
Dark oak artificial leather	#5774+5774-4



Colour variations



oak



dark oak



silver grey



slate grey



venetian cane



TREASURES | 2 DOOR

Designed by Jonas Søndergaard



STORE YOUR MOST TREASURED ITEMS IN THE TREASURES CABINET

Introducing Treasures™, a new customisable cabinet from UIMAGE. Treasures™ is made from veneered oak wood and the curved sides of the cabinet have a customisable covering that gives Audacious a soft tactile touch.

The customisable sides of the cabinet open as wings, that elegantly stores your fine liqueur or books. The storage compartments in the centre of the cabinet, each has one shelf, making it the perfect storage solution for your ceramics and porcelain.

“Why should cabinets just be a traditional square box? Treasures™ challenges the traditions by adding an unconventional element to the design, softening the design by adding customisable wings made from either venetian cane, fabric or leather. I’ve added a unique tactility that confronts the classical cabinet blueprint” – Jonas Søndergaard, inhouse designer at UIMAGE

Available in two sizes of 2- and 3-doors, in both natural and dark oak. The sides of the cabinet can be customised with venetian cane, textile or leather, making the stylish appearance flexible to match your personal style.

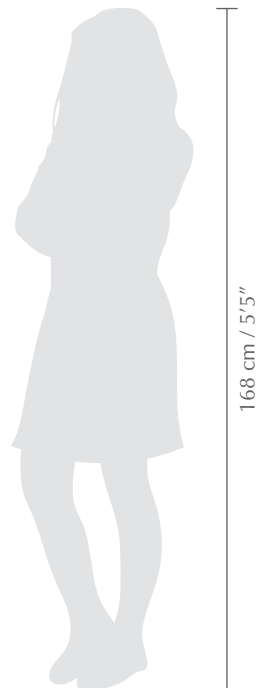
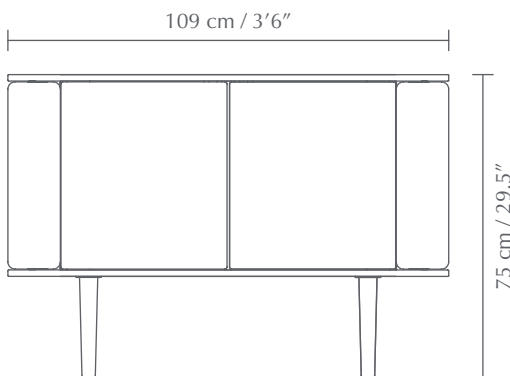
At UIMAGE, we care about everyone we influence. We make functional and timeless designs that last, we optimise storage and transportation costs with flat-packed designs, to make luxury accessible to you. The aim is to save the environment so that you can save on living.

Find more info on our website [umage.com](https://www.umage.com)



TREASURES | 2 DOOR

Designed by Jonas Søndergaard



TREASURES | 3 DOOR

Designed by Jonas Søndergaard



DIMENSIONS

W x H x D: 150 x 75 x 43 cm / 59.1 x 29.5 x 16.9"



MATERIAL

Solid oak, Particle board and Steel



Frame: Veneered surfaces and solid edges with clear coat wood finish **Legs:** Solid oak. Legs attached with bolts. **Plate:** Veneered chip board with solid oak lipping. **Fabric:** Fire resistant polyester (Kingston). Find more information in the Kingston fabric spec sheet



PACKAGING DIMENSIONS

Box 1: (L x W x H):

16 x 156.5 x 54.5 cm / 6.3 x 61.6 x 21.5"

Box 2: (L x W x H): 16.5 x 99 x 49 cm / 6.5 x 39 x 19.3"



ASSEMBLY TIME

40 min - video guide at umage.com



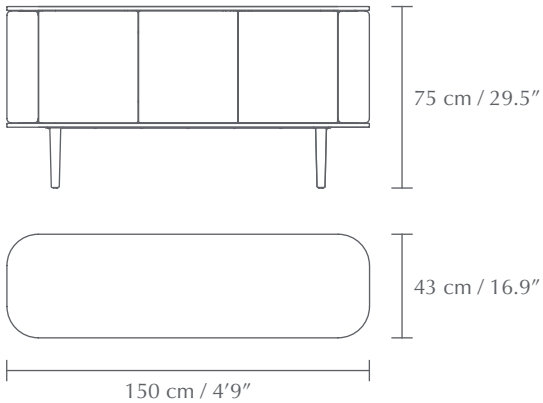
MEDIA KIT

Photos, 3D models, 2D drawings
Download at umagepress.com



ORDERING INFORMATION

Oak silver grey	#5623+5622-1
Oak slate grey	#5623+5622-2
Oak venetian cane	#5623+5622-3
Oak artificial leather	#5623+5622-4
Dark oak silver grey	#5775+5774-1
Dark oak slate grey	#5775+5774-2
Dark oak venetian cane	#5775+5774-3
Dark oak artificial leather	#5775+5774-4



Colour variations



oak



dark oak



silver grey



slate grey



venetian cane



TREASURES | 3 DOOR

Designed by Jonas Søndergaard



STORE YOUR MOST TREASURED ITEMS IN THE TREASURES CABINET

Introducing Treasures™, a new customisable cabinet from UIMAGE. Treasures™ is made from veneered oak wood and the curved sides of the cabinet have a customisable covering that gives Audacious a soft tactile touch.

The customisable sides of the cabinet open as wings, that elegantly stores your fine liqueur or books. The storage compartments in the centre of the cabinet, each has one shelf, making it the perfect storage solution for your ceramics and porcelain.

“Why should cabinets just be a traditional square box? Treasures™ challenges the traditions by adding an unconventional element to the design, softening the design by adding customisable wings made from either venetian cane, fabric or leather. I’ve added a unique tactility that confronts the classical cabinet blueprint” – Jonas Søndergaard, inhouse designer at UIMAGE

Available in two sizes of 2- and 3-doors, in both natural and dark oak. The sides of the cabinet can be customised with venetian cane, textile or leather, making the stylish appearance flexible to match your personal style.

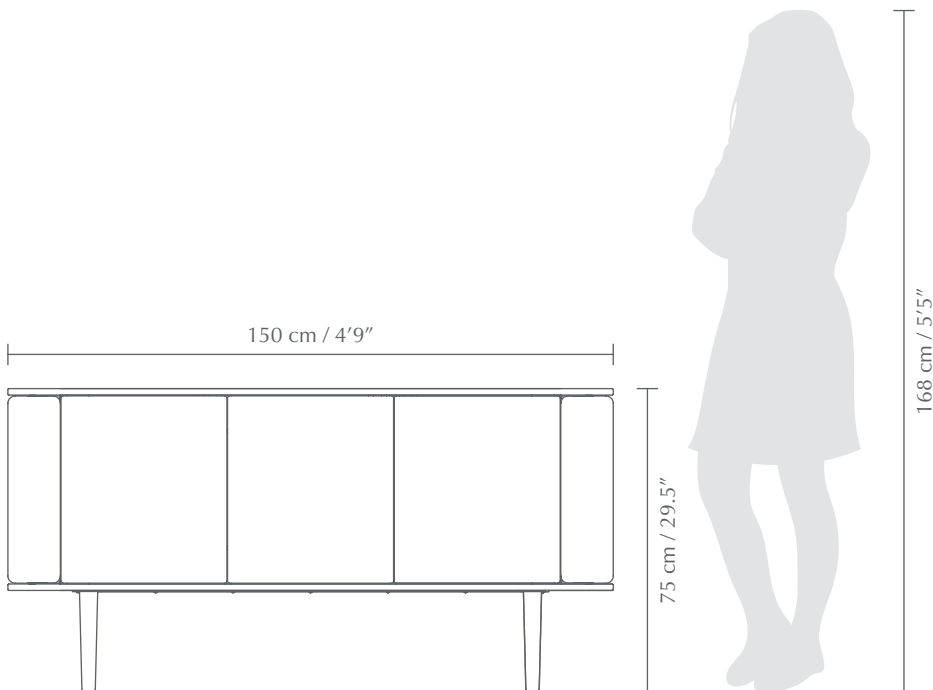
At UIMAGE, we care about everyone we influence. We make functional and timeless designs that last, we optimise storage and transportation costs with flat-packed designs, to make luxury accessible to you. The aim is to save the environment so that you can save on living.

Find more info on our website [umage.com](https://www.umage.com)



TREASURES | 3 DOOR

Designed by Jonas Søndergaard




UMAGE

The specifications and dimensions are subject to change without notice. Document date: 03-12-2019 | info@umage.com | www.umage.com
Kongens Nytorv 15, DK-1050 Copenhagen K | +45 31 39 31 31 (tel) & 185 Wythe Ave 2FL, Brooklyn, NY 11249 | +1 646-790-7171 (tel)