

Audo

COPENHAGEN



MERKUR DINING CHAIR
Designed by *Skogstad & Wærnes*



MERKUR DINING CHAIR, OAK
Designed by *Skogstad & Wærnes*

Originally designed for the historic Oslo Stock Exchange and named after the Roman god of trade, Merkur is a contemporary remake of the archetypal dining chair, refined and elegant in its expression thanks to its considered combination of traditional craftsmanship techniques, timeless form and modern function.

PRODUCT OPTIONS



PRODUCT TYPE
Dining chair

COLLI
1

ENVIRONMENT
Indoor

DIMENSIONS
H: 78 cm / 30,7"
SH: 46 cm / 18,1"
W: 46 cm / 18,1"
D: 52 cm / 20,44"
SD: 42 cm / 16,5"

PRODUCTION PROCESS
The base is constructed of shaped and joined wood parts.

TECHNICAL SPECIFICATIONS

COLOUR
Black (RAL 9005)
Natural oak

GLOSS
Gloss 8

MATERIALS
Solid oak & plywood

WEIGHT
4,3 kg / 9,47 lb

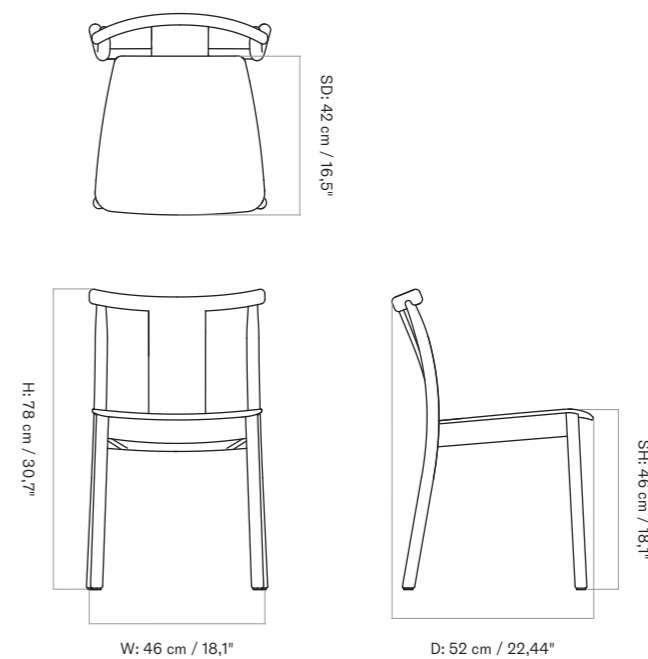
TEST
EN16139:2013, L2

CERTIFICATIONS
TSCA title IV compliant

PACKAGING TYPE
Brown box

PACKAGING MEASUREMENTS
(H × W × D)
83 cm × 50 cm × 54 cm /
32,67" × 19,69" × 21,25"

MATERIALS & MAINTENANCE
Please visit audocph.com for materials, care and maintenance instructions.





MERKUR DINING CHAIR, SEAT UPHOLSTERED
Designed by *Skogstad & Wærnes*

Originally designed for the historic Oslo Stock Exchange and named after the Roman god of trade, Merkur is a contemporary remake of the archetypal dining chair, refined and elegant in its expression thanks to its considered combination of traditional craftsmanship techniques, timeless form and modern function.

PRODUCT OPTIONS

Seat

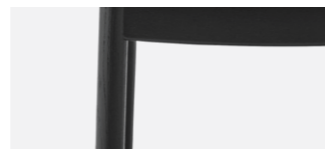


UPHOLSTERED

Solid oak base



NATURAL OAK



BLACK OAK

Spec options

Available in fabrics from our upholstery programme. Standard lead times apply.

For custom upholstery, please refer to the guiding textile/leather consumption:
COM: 0,59 m / 0,649 yds
COL: 0,88 m² / 9,4776 sqft

Prices excl. custom upholstery are equal to Price Category 1 Textile or Leather. Contact Sales support for approval of custom upholstery and to place your order.

The above textile consumption is only valid for textile rolls with a width equal to or greater than 140 cm. For smaller textile rolls, please contact Sales Support for guidance. For textile with pattern, please expect a higher usage for correct pattern fitting. Please contact Sales Support for guidance.



TECHNICAL SPECIFICATIONS

PRODUCT TYPE
Dining chair

COLLI
1

ENVIRONMENT
Indoor

DIMENSIONS
H: 78 cm / 30,7"
SH: 46 cm / 18,1"
W: 46 cm / 18,1"
D: 52 cm / 20,44"
SD: 42 cm / 16,5"

PRODUCTION PROCESS
The base is constructed of shaped and joined wood parts. The final process is to upholster according to a chosen material.

COLOUR
Seat with upholstery
Dependent upon selected upholstery

Base
Black (RAL 9005)
Natural oak

GLOSS
Gloss 8

MATERIALS
Seat with upholstery
Plywood, foam and upholstery

Base
Solid oak & plywood

WEIGHT
5,3 kg / 11,68 lb

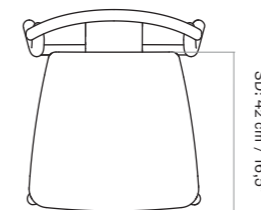
TEST
EN16139:2013, L2

CERTIFICATIONS
TSCA title IV compliant

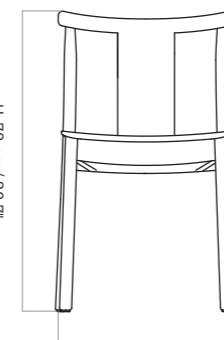
PACKAGING TYPE
Brown box

PACKAGING MEASUREMENTS
(H × W × D)
83 cm × 50 cm × 54 cm /
32,67" × 19,69" × 21,25"

MATERIALS & MAINTENANCE
Please visit audocph.com for materials, care and maintenance instructions.

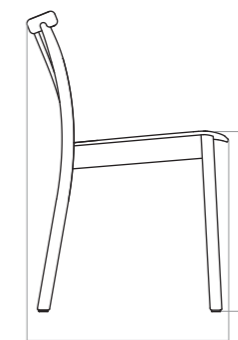


SD: 42 cm / 16,5"



H: 78 cm / 30,7"

W: 46 cm / 18,1"



SH: 46 cm / 18,1"

D: 52 cm / 22,44"



MERKUR DINING CHAIR W/ARMREST, OAK
Designed by *Skogstad & Wærnes*

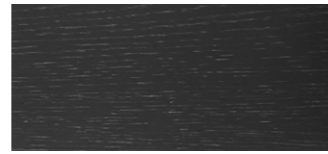
Originally designed for the historic Oslo Stock Exchange and named after the Roman god of trade, Merkur is a contemporary remake of the archetypal dining chair, refined and elegant in its expression thanks to its considered combination of traditional craftsmanship techniques, timeless form and modern function.

PRODUCT OPTIONS

Shell



NATURAL OAK



BLACK OAK



TECHNICAL SPECIFICATIONS

PRODUCT TYPE
Dining chair

COLLI
1

ENVIRONMENT
Indoor

DIMENSIONS
H: 78 cm / 30,7"
SH: 46 cm / 18,1"
W: 46 cm / 18,1"
D: 52 cm / 20,44"
SD: 42 cm / 16,5"
AH: 66 cm / 25,98"

PRODUCTION PROCESS
The base is constructed of shaped and joined wood parts.

COLOUR
Black (RAL 9005)
Natural oak

GLOSS
Gloss 8

MATERIALS
Solid oak & Plywood

WEIGHT
5.3 kg / 11.68 lb

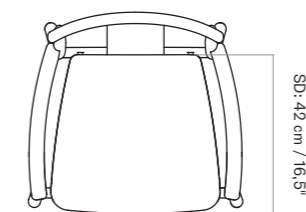
TEST
EN16139:2013, L2

CERTIFICATIONS
TSCA title IV compliant

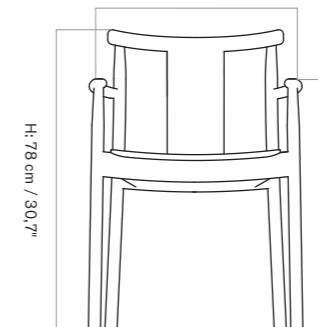
PACKAGING TYPE
Brown box

PACKAGING MEASUREMENTS
(H x W x D)
83 cm x 50 cm x 54 cm /
32,67" x 19,69" x 21,25"

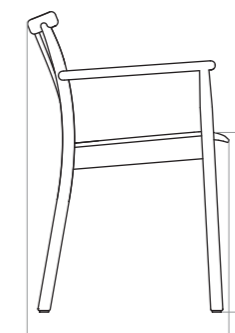
MATERIALS & MAINTENANCE
Please visit audocph.com for materials, care and maintenance instructions.



W: 46 cm / 18,1"



AH: 66 cm / 25,98"



SH: 46 cm / 18,1"

D: 52 cm / 22,44"



MERKUR DINING CHAIR W/ARMREST, SEAT UPHOLSTERED
Designed by *Skogstad & Wærnes*

Originally designed for the historic Oslo Stock Exchange and named after the Roman god of trade, Merkur is a contemporary remake of the archetypal dining chair, refined and elegant in its expression thanks to its considered combination of traditional craftsmanship techniques, timeless form and modern function.

PRODUCT OPTIONS

Seat

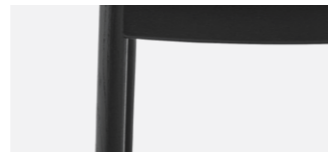


UPHOLSTERED

Solid oak base



NATURAL OAK



BLACK OAK

Spec options

Available in fabrics from our upholstery programme. Standard lead times apply.

For custom upholstery, please refer to the guiding textile/leather consumption:
COM: 0,59 m / 0,649 yds
COL: 0,88 m² / 9,4776 sqft

Prices excl. custom upholstery are equal to Price Category 1 Textile or Leather. Contact Sales support for approval of custom upholstery and to place your order.

The above textile consumption is only valid for textile rolls with a width equal to or greater than 140 cm. For smaller textile rolls, please contact Sales Support for guidance. For textile with pattern, please expect a higher usage for correct pattern fitting. Please contact Sales Support for guidance.



TECHNICAL SPECIFICATIONS

PRODUCT TYPE
Dining chair

COLLI
1

ENVIRONMENT
Indoor

DIMENSIONS
H: 78 cm / 30,7"
SH: 46 cm / 18,1"
W: 46 cm / 18,1"
D: 52 cm / 20,44"
SD: 42 cm / 16,5"
AH: 66 cm / 25,98"

PRODUCTION PROCESS
The base is constructed of shaped and joined wood parts. The final process is to upholster according to a chosen material.

COLOUR
Seat with upholstery
Dependent upon selected upholstery

Base
Black (RAL 9005)
Natural oak

GLOSS
Gloss 8

MATERIALS
Seat with upholstery
Plywood, foam and upholstery

Base
Solid oak & plywood

Armrest
Solid oak & plywood

WEIGHT
6,3 kg / 13.89 lb

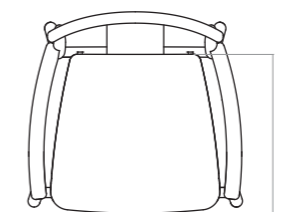
TEST
EN16139:2013, L2

CERTIFICATIONS
TSCA title IV compliant

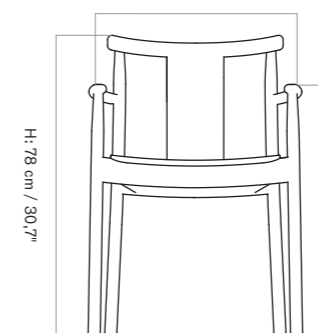
PACKAGING TYPE
Brown box

PACKAGING MEASUREMENTS
(H x W x D)
83 cm x 50 cm x 54 cm /
32,67" x 19,69" x 21,25"

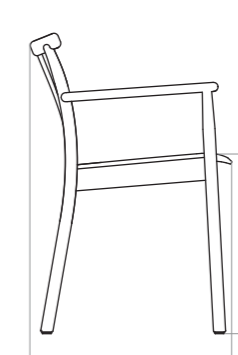
MATERIALS & MAINTENANCE
Please visit audocph.com for materials, care and maintenance instructions.



W: 46 cm / 18,1"



SH: 46 cm / 18,1"



D: 52 cm / 22,44"