

# Audo

COPENHAGEN



AFTERROOM DINING CHAIR  
Designed by *Afteroom*



AFTERROOM DINING CHAIR, VENEER  
Designed by *Afteroom*

Dining chair with tubular powder coated steel base with extended backrest in veneer. Available with or without upholstered seat.



PRODUCT OPTIONS

*Backrest and seat*



NATURAL OAK



DARK STAINED OAK



BLACK

*Powder coated steel base*



BLACK STEEL

TECHNICAL SPECIFICATIONS

PRODUCT TYPE  
Dining chair

COLLI  
1

ENVIRONMENT  
Indoor

DIMENSIONS  
H: 75 cm / 29,5"  
SH: 46 cm / 18,1"  
W: 45,5 cm / 17,9"  
D: 51 cm / 20"

PRODUCTION PROCESS  
The base is made from bent, welded steel tubes with a powder coated finish. The upholstered seat and back are made of plywood upholstery shell, foam and fabric.

COLOUR

*Backrest and seat*  
Natural Oak  
Dark Stained Oak  
Black (RAL 9005)

*Base*  
Black (RAL 9005)

GLOSS  
Gloss 10-20

MATERIALS  
Powder coated steel, plywood

WOOD ORIGIN  
Latvia

WEIGHT  
4,6 kg / 10,1 lb

TEST  
EN1022:2005, L1  
EN16139:2013, L1

WARRANTY  
10 years

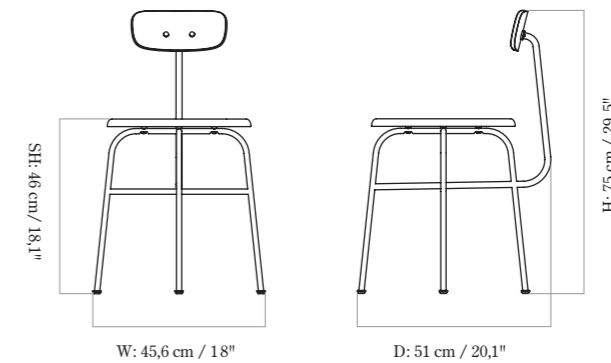
CERTIFICATIONS  
TSCA title VI compliant

**Declare.**

PACKAGING TYPE  
Brown box

PACKAGING MEASUREMENTS  
(H x W x D)  
85,5 cm x 45,7 cm x 53,3 cm /  
33,7" x 18" x 21"

MATERIALS & MAINTENANCE  
Please visit [audocph.com](http://audocph.com) for materials, care and maintenance instructions.





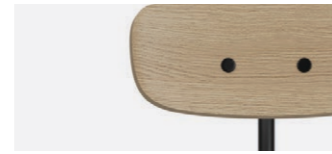
AFTERROOM DINING CHAIR, UPHOLSTERED SEAT  
Designed by *Afterroom*

Dining chair with tubular powder coated steel base with extended backrest in veneer. Available with or without upholstered seat.



PRODUCT OPTIONS

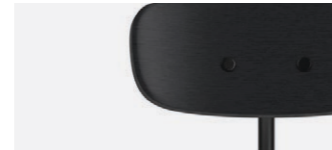
*Backrest*



NATURAL OAK



DARK STAINED OAK



BLACK

*Seat*



WITH UPHOLSTERY

*Powder coated steel base*



BLACK STEEL

*Spec options*

Available in fabrics from our upholstery programme. Standard lead times apply.

For custom upholstery, please refer to the guiding textile/leather consumption:

COM: 0,44 m

COL: 0,54 m2

Prices excl. custom upholstery are equal to Price Category 1 Textile or Leather. Contact Sales support for approval of custom upholstery and to place your order.

TECHNICAL SPECIFICATIONS

PRODUCT TYPE  
Dining chair

COLLI  
1

ENVIRONMENT  
Indoor

DIMENSIONS  
H: 75 cm / 29,5"  
SH: 46 cm / 18,1"  
W: 45,5 cm / 17,9"  
D: 51 cm / 20"

PRODUCTION PROCESS  
The base is made from bent, welded steel tubes with a powder coated finish. The upholstered seat and back are made of plywood upholstery shell, foam and fabric.

COLOUR

*Backrest*  
Natural Oak  
Dark Stained Oak  
Black (RAL 9005)

*Seat with upholstery*  
Dependent upon selected upholstery

*Base*  
Black (RAL 9005)

GLOSS  
Gloss 10-20

MATERIALS  
Powder coated steel, upholstery, foam, plywood

WOOD ORIGIN  
Latvia

WEIGHT  
4,2 kg / 9,3 lb

TEST  
EN1022:2005, L1  
EN16139:2013, L1

WARRANTY  
10 years

CERTIFICATIONS  
TSCA title VI compliant

**Declare.**

PACKAGING TYPE  
Brown box

PACKAGING MEASUREMENTS  
(H x W x D)  
85,5 cm x 45,7 cm x 53,3 cm /  
33,7" x 18" x 21"

MATERIALS & MAINTENANCE  
Please visit [audocph.com](http://audocph.com) for materials, care and maintenance instructions.

