

Audo

COPENHAGEN



AFTERROOM DINING CHAIR
Designed by *Afteroom*



AFTERROOM DINING CHAIR, VENEER
Designed by *Afteroom*

Dining chair with tubular powder coated steel base with extended backrest in veneer. Available with or without upholstered seat.



PRODUCT OPTIONS

Backrest and seat



NATURAL OAK



DARK STAINED OAK



BLACK

Powder coated steel base



BLACK STEEL

PRODUCT TYPE
Dining chair

COLLI
1

ENVIRONMENT
Indoor

DIMENSIONS
H: 75 cm / 29,5"
SH: 46 cm / 18,1"
W: 45,5 cm / 17,9"
D: 51 cm / 20"

PRODUCTION PROCESS
The base is made from bent, welded steel tubes with a powder coated finish. The upholstered seat and back are made of plywood upholstery shell, foam and fabric.

TECHNICAL SPECIFICATIONS

COLOUR

Backrest and seat
Natural Oak
Dark Stained Oak
Black (RAL 9005)

Base
Black (RAL 9005)

GLOSS
Gloss 10-20

MATERIALS
Powder coated steel, plywood

WOOD ORIGIN
Latvia

WEIGHT
4,6 kg / 10,1 lb

TEST
EN1022:2005, L1
EN16139:2013, L1

WARRANTY
10 years

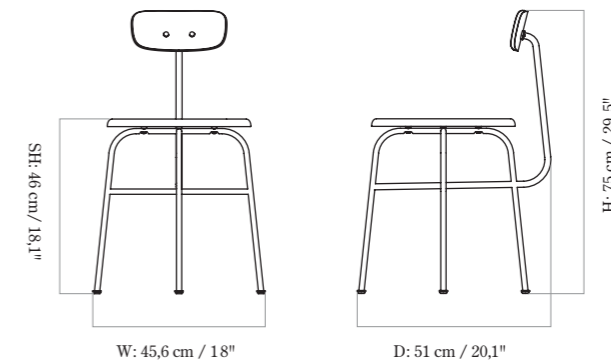
CERTIFICATIONS
TSCA title VI compliant

Declare.

PACKAGING TYPE
Brown box

PACKAGING MEASUREMENTS
(H x W x D)
85,5 cm x 45,7 cm x 53,3 cm /
33,7" x 18" x 21"

MATERIALS & MAINTENANCE
Please visit audocph.com for materials, care and maintenance instructions.





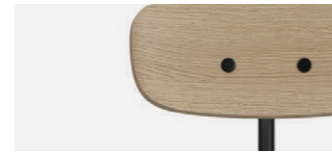
AFTERROOM DINING CHAIR, UPHOLSTERED SEAT
Designed by *Afteroom*

Dining chair with tubular powder coated steel base with extended backrest in veneer. Available with or without upholstered seat.

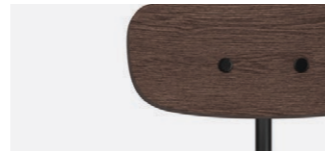


PRODUCT OPTIONS

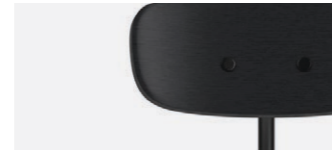
Backrest



NATURAL OAK



DARK STAINED OAK



BLACK

Seat



WITH UPHOLSTERY

Powder coated steel base



BLACK STEEL

Spec options

Available in fabrics from our upholstery programme. Standard lead times apply.

For custom upholstery, please refer to the guiding textile/leather consumption:

COM: 0,44 m

COL: 0,54 m2

Prices excl. custom upholstery are equal to Price Category 1 Textile or Leather. Contact Sales support for approval of custom upholstery and to place your order.

TECHNICAL SPECIFICATIONS

PRODUCT TYPE
Dining chair

COLLI
1

ENVIRONMENT
Indoor

DIMENSIONS
H: 75 cm / 29,5"
SH: 46 cm / 18,1"
W: 45,5 cm / 17,9"
D: 51 cm / 20"

PRODUCTION PROCESS
The base is made from bent, welded steel tubes with a powder coated finish. The upholstered seat and back are made of plywood upholstery shell, foam and fabric.

COLOUR

Backrest
Natural Oak
Dark Stained Oak
Black (RAL 9005)

Seat with upholstery
Dependent upon selected upholstery

Base
Black (RAL 9005)

GLOSS
Gloss 10-20

MATERIALS
Powder coated steel, upholstery, foam, plywood

WOOD ORIGIN
Latvia

WEIGHT
4,2 kg / 9,3 lb

TEST
EN1022:2005, L1
EN16139:2013, L1

WARRANTY
10 years

CERTIFICATIONS
TSCA title VI compliant

Declare.

PACKAGING TYPE
Brown box

PACKAGING MEASUREMENTS
(H x W x D)
85,5 cm x 45,7 cm x 53,3 cm /
33,7" x 18" x 21"

MATERIALS & MAINTENANCE
Please visit audocph.com for materials, care and maintenance instructions.

