

# LYSS.

Designer: Toni Rie

## TABLE LAMP.

With its clear minimalist lines and full focus on functionality, the LYSS lamp series draws on the finest traditions and qualities of Danish design.

The conical shade, with its reflective white underside, directs the light exactly where you need it. A tilt able joint is located between the shade and the arm, and the table lamp stand on a simple base plate heavy enough to provide stability.

The lamp is fitted with a matching switch and fabric cord that complete the simple, monochrome look.

In matt light-grey and matt black, LYSS complements most interiors, while the rich-toned matt almond is a stylish match for the warm glow of teak, smoked oak and palisander - the signature woods of the golden age of Danish design.

Materials:  
Metal plated  
Painted white inside

Cord:  
250 cm fabric

On/off:  
Switch on cord

Socket/bulb (not incl.)  
E27 max. 25W  
Learn more about e.g. Kelvin, Lumen, Watt - see our homepage. Click [here](#).

Weight:  
1.9 kg.

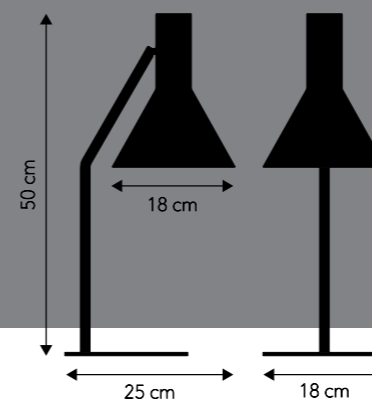
Box dimensions:  
18x57x22 cm  
2.8 kg. gross

Assembly Instructions:  
See and/or download [here](#).

Press release:  
Please feel free to use our press release. Click [here](#).

High resolution images:  
If you need high resolution images - see our images of this model [here](#).

Instagram ready images.  
The correct format for Instagram images can be downloaded [here](#).



Matt black: art.no. 101401



Matt almond: art.no. 101397



Matt light grey: art.no. 101399



Matt green: art.no. 123040