



PRODUCT SHEET

**Collector Chandelier**  
*by Alf Svensson*

The Collector, Chandelier 3 is part of a collection of lights designed in the 1950s by Alf Svensson. Set on a solid brass pipe ring, six perforated metal shades emit light both upwards and downwards to illuminate spaces with its timeless aesthetic.

#### PRODUCT OPTIONS



Crème  
1394649

#### TECHNICAL SPECIFICATIONS

**PRODUCT TYPE**  
Chandelier

**COLLI**  
1

**ENVIRONMENT**  
Indoor

**DIMENSIONS**  
H: 25 cm / 9,8"  
Ø: 61 cm / 24"

**COLOUR**  
Polished brass, crème

**PRODUCTION PROCESS**  
Spun aluminium shade with milled brass details.

**MATERIALS**  
Brass, steel, aluminium

**WEIGHT**  
2,2 kg / 4,8 lb

**VOLTAGE**  
CE: 220-240 V  
US: 110-130 V

**LIGHT SOURCE & ENERGY EFFICIENCY CLASS**  
GU10 (CE) - 6 pcs  
GU10 (US) - 6 pcs

Max 35 Watt

**LIGHT SPECIFICATION**  
Bulbs not included.

**DIMMER**  
No. The lamp can be connected to a dimmer system.

**CANOPY**  
Yes, Brass, steel  
Ø: 11,5 cm / 4,5"

**CORD MATERIAL AND COLOUR**  
Flexible PVC cable, black, plug, black.

**CORD LENGTH**  
400 cm / 158,5"

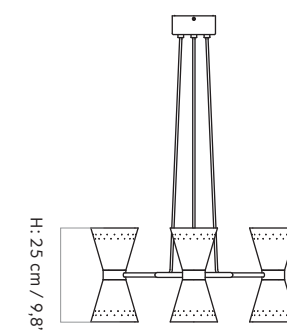
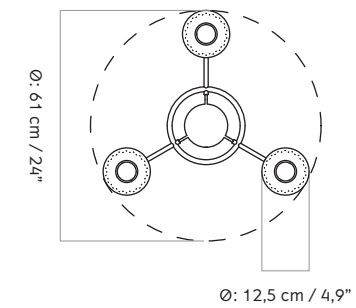
**CLASSIFICATION**  
IP20, Class II

**CERTIFICATIONS**  
CE certified, tests can be obtained upon request.

**PACKAGING TYPE**  
Brown box

**PACKAGING MEASUREMENTS (H x W x D)**  
32,5 cm x 60 cm x 66 cm / 12,8" x 23,6" x 25,9"

**MATERIALS & MAINTENANCE**  
Please visit [menuspace.com](http://menuspace.com) for materials and care and maintenance instructions.



Part of a collection of lights designed in the 1950s by Alf Svensson, the Collector, Chandelier 5 is striking in its mid-century aesthetic. A polished brass ring holds ten perforated metal shades to project the light both upwards and downwards.

#### PRODUCT OPTIONS



Crème  
1393649

#### TECHNICAL SPECIFICATIONS

**PRODUCT TYPE**  
Chandelier

**COLLI**  
1

**ENVIRONMENT**  
Indoor

**DIMENSIONS**  
H: 26 cm / 10,2"  
Ø: 66,5 cm / 26,1"

**COLOUR**  
Polished brass, crème

**PRODUCTION PROCESS**  
Spun aluminium shade with milled brass details.

**MATERIALS**  
Brass, steel, aluminium

**WEIGHT**  
3,5 kg / 7,7 lb

**VOLTAGE**  
CE: 220-240 V  
US: 110-130 V

**LIGHT SOURCE & ENERGY EFFICIENCY CLASS**  
GU10 (CE) - 10 pcs  
GU10 (US) - 10 pcs

Max 35 Watt

**LIGHT SPECIFICATION**  
Bulbs not included.

**DIMMER**  
No. The lamp can be connected to a dimmer system.

**CANOPY**  
Yes, Brass, steel  
Ø: 11,5 cm / 4,5"

**CORD MATERIAL AND COLOUR**  
Flexible PVC cable, black, plug, black.

**CORD LENGTH**  
400 cm / 158,5"

**CLASSIFICATION**  
IP20, Class II

**CERTIFICATIONS**  
CE certified, tests can be obtained upon request.

**PACKAGING TYPE**  
Brown box

**PACKAGING MEASUREMENTS (H x W x D)**  
35 cm x 72 cm x 76 cm / 13,8" x 28,3" x 30"

**MATERIALS & MAINTENANCE**  
Please visit [menuspace.com](http://menuspace.com) for materials and care and maintenance instructions.

