



GAZZDA

Fawn bed

Product sheet

design by
Salih Teskeredžić



reddot award 2016
winner



Fawn bed

Product facts

Materials

| | |
|-----------|--|
| Body | Solid oak |
| Finish | Hardwax oil |
| Headboard | Cotton webbing Leather or fabric upholstery |

Technical features

Body

The superlight, demountable Fawn bed body construction is entirely made out of solid wood - oak. Fawn bed comes in two different frame heights - as 10 cm normal frame and 14 cm deep frame option (more suitable for higher slats/mattresses).

Headboard

Two options for the headboard are available: cotton webbing and upholstered options (leather, fabric and felt). For further information please see Available materials and colours page in this document.

Finish

Solid wood finish is available in two plant-based Hardwax oil finishes (colours), which retain the wood's natural state, as a white or natural oil.

Cleaning

Please see [Product](#) or [Material](#) page on our website.

Standards and certifications

Fawn bed fulfills requirements of standard BAS EN 1725:2005 (EN 1725:1998, IDT) Domestic furniture - Beds and mattresses - Safety requirements and test methods.

Internal frame dimensions of the Fawn bed (European sizes) are in accordance with European Standard DIN EN 1334 (internal frame width = mattress nomenclature width + 0,5 cm; internal frame depth = mattress nomenclature depth + 0 cm).

Mattresses and slats

Mattresses and slats are not included in the Fawn bed, while the basic slats (6 cm high) are available on request.

Slats available on request come in two separate parts and are combined together in one bed frame (dimensions of each part is 1/2 bed internal frame width).

Slats higher than 6 cm are not suitable for the Fawn bed - normal frame. Due to this reason, Fawn bed - deep frame options (frame height - 14 cm) are also available for order.

Notes to consider

Variations

Natural variations in wood color and surface may occur. Regular maintenance will ensure the wood preserves its authentic beauty and can last for generations.

Product changes

Please note that Gazzda reserves the right to alter construction and design without notice.

Dimensions (tolerances)

The dimensions shown are indicative, they may vary due to the natural properties of wood, season, or manufacturing processes. Deviations from the specified size may occur, usually no more than 1 cm.

For all additional inquiries regarding the Fawn bed please feel free to [contact us](#).

Fawn bed 140 x 200 - normal frame

Frame Solid oak, Headboard Cotton webbing / Upholstered



reddot award 2016
winner

Version: 1-8-2021

Basic info

Design Salih Teskeredžić

Mattress size W: 140, D: 200

Product size W: 147, D: 224, H: 92

Packaging W: 240, D: 109, H: 11

Volume (total) 0,29 m³

Net weight 25,5 kg

Gross weight 31,5 kg

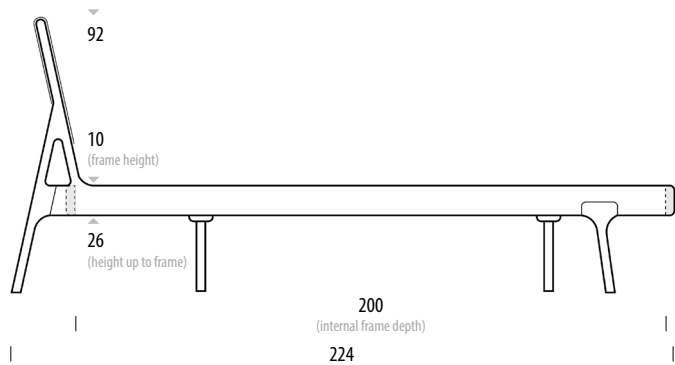
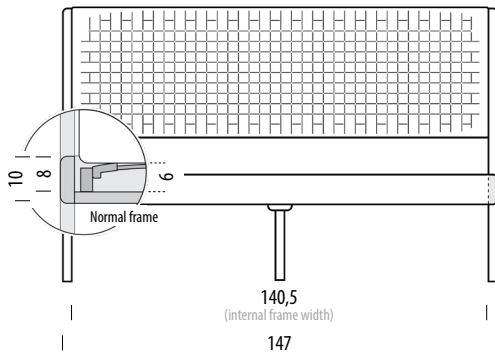


Item no. 022 / 0A8

| Internal space | Width | Depth | Height |
|----------------|-------|-------|--------|
| Frame size | 140,5 | 200 | 8 |
| Mattress size | 140 | 200 | |

Assembly 30 min / 2 persons

| Frame | Height |
|--------------|--------|
| Up to frame | 26 |
| Normal frame | 10 |



Fawn bed 140 x 200 - deep frame

Frame Solid oak, Headboard Cotton webbing / Upholstered



reddot award 2016
winner

Version: 1-8-2021

Basic info

Design Salih Teskeredžić

Mattress size W: 140, D: 200

Product size W: 147, D: 224, H: 92

Packaging W: 240, D: 109, H: 11

Volume (total) 0,29 m³

Net weight 33,5 kg

Gross weight 38 kg

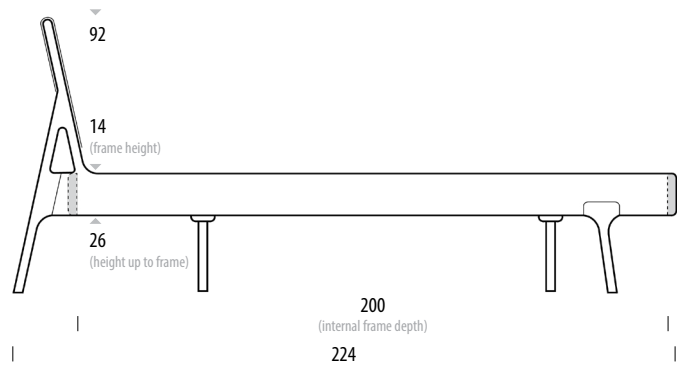
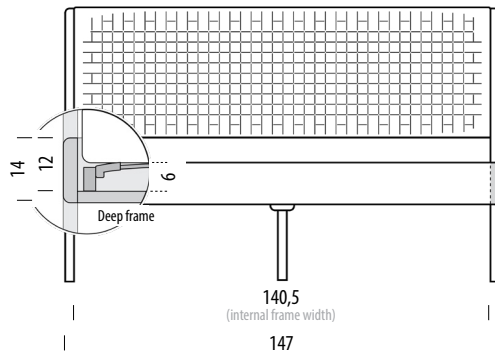


Item no. 02A / 0AF

| Internal space | Width | Depth | Height |
|----------------|-------|-------|--------|
| Frame size | 140,5 | 200 | 12 |
| Mattress size | 140 | 200 | |

Assembly 30 min / 2 persons

| Frame | Height |
|-------------|--------|
| Up to frame | 26 |
| Deep frame | 14 |



Fawn bed 160 x 200 - normal frame

Frame Solid oak, Headboard Cotton webbing / Upholstered



reddot award 2016
winner

Version: 1-8-2021

Basic info

Design Salih Teskeredžić

Mattress size W: 160, D: 200
Product size W: 167, D: 224, H: 92
Packaging W: 240, D: 109, H: 11
Volume (total) 0,29 m³
Net weight 28 kg
Gross weight 34,2 kg

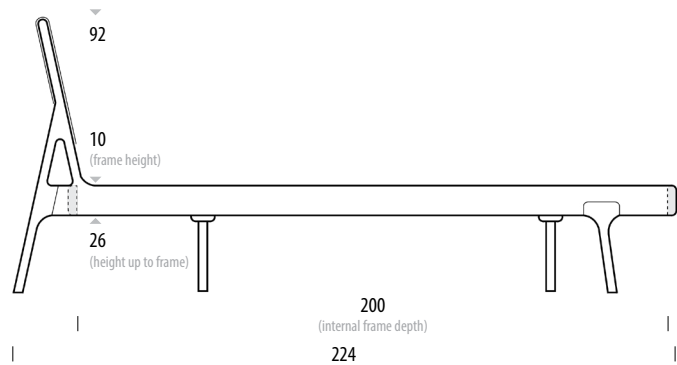
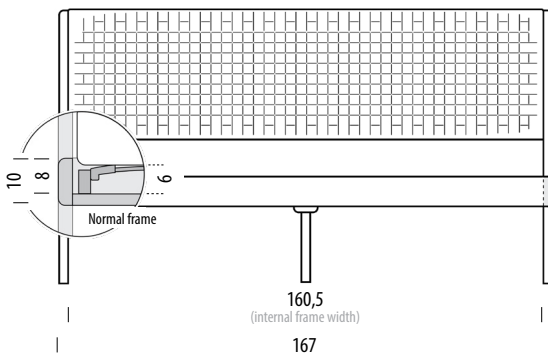


Item no. 024 / OAB

| Internal space | Width | Depth | Height |
|----------------|-------|-------|--------|
| Frame size | 160,5 | 200 | 8 |
| Mattress size | 160 | 200 | |

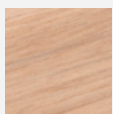
Assembly 30 min / 2 persons

| Frame | Height |
|--------------|--------|
| Up to frame | 26 |
| Normal frame | 10 |



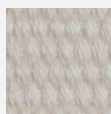
Selected options

Body

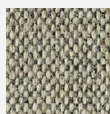


Oiled Oak
1015
White oil

Seat



Cotton webbing
2001
White



Main line flax
MLF02
Archway

Indicated materials and colours are selected by Gazzda as best-selling items. The lead time of selected options is 1-5 weeks. For an accurate lead time, please consult customer service.

For other material options, please see the Available materials section at the end of the product sheet.

Fawn bed 160 x 200 - deep frame

Frame Solid oak, Headboard Cotton webbing / Upholstered



reddot award 2016
winner

Version: 1-8-2021

Basic info

Design Salih Teskeredžić

Mattress size W: 160, D: 200
Product size W: 167, D: 224, H: 92
Packaging W: 240, D: 109, H: 11
Volume (total) 0,29 m³
Net weight 36,1 kg
Gross weight 40,6 kg

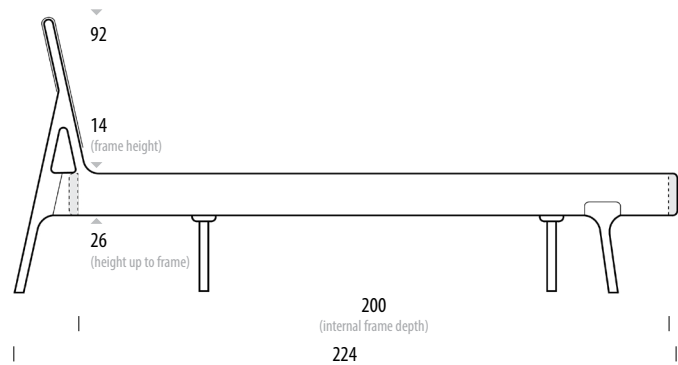
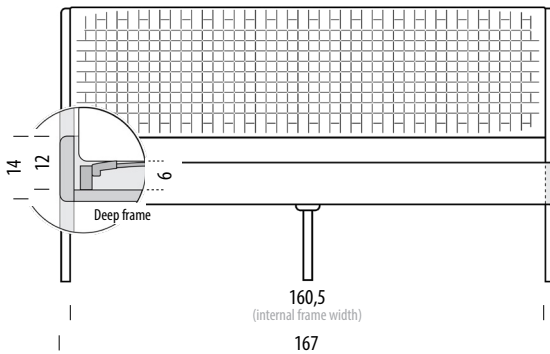


Item no. 02B / 0B0

| Internal space | Width | Depth | Height |
|----------------|-------|-------|--------|
| Frame size | 160,5 | 200 | 12 |
| Mattress size | 160 | 200 | |

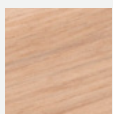
Assembly 30 min / 2 persons

| Frame | Height |
|-------------|--------|
| Up to frame | 26 |
| Deep frame | 14 |



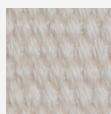
Selected options

Body

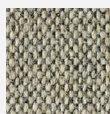


Oiled Oak
1015
White oil

Seat



Cotton webbing
2001
White



Main line flax
MLF02
Archway

Indicated materials and colours are selected by Gazzda as best-selling items. The lead time of selected options is 1-5 weeks. For an accurate lead time, please consult customer service.

For other material options, please see the Available materials section at the end of the product sheet.

Fawn bed 180 x 200 - normal frame

Frame Solid oak, Headboard Cotton webbing / Upholstered



Version: 1-8-2021

Basic info

Design Salih Teskeredžić

Mattress size W: 180, D: 200
Product size W: 187, D: 224, H: 92
Packaging W: 240, D: 109, H: 11
Volume (total) 0,29 m³
Net weight 31,5 kg
Gross weight 37,2 kg

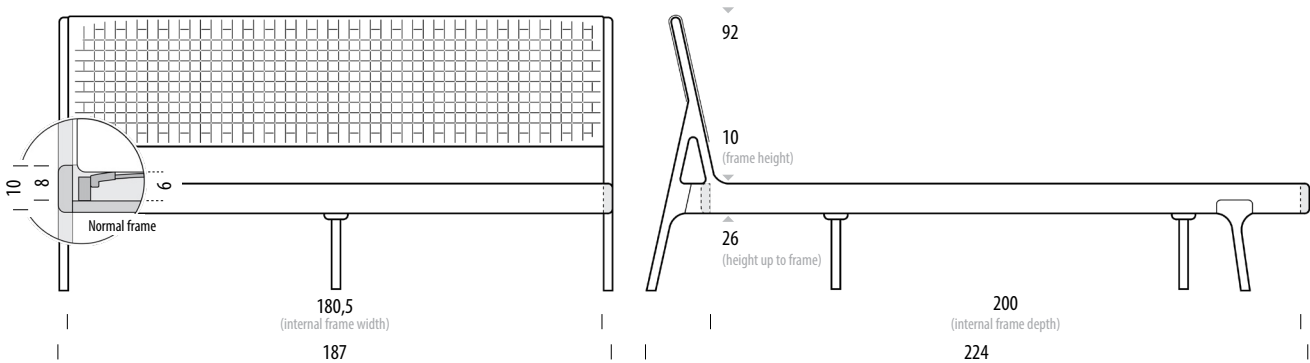


Item no. 025 / OAC

Assembly 30 min / 2 persons

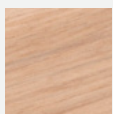
| Internal space | Width | Depth | Height |
|----------------|-------|-------|--------|
| Frame size | 180,5 | 200 | 8 |
| Mattress size | 180 | 200 | |

| Frame | Height |
|--------------|--------|
| Up to frame | 26 |
| Normal frame | 10 |



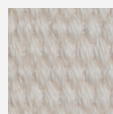
Selected options

Body

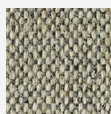


Oiled Oak
1015
White oil

Seat



Cotton webbing
2001
White



Main line flax
MLF02
Archway

Indicated materials and colours are selected by Gazzda as best-selling items. The lead time of selected options is 1-5 weeks. For an accurate lead time, please consult customer service.

For other material options, please see the Available materials section at the end of the product sheet.

Fawn bed 180 x 200 - deep frame

Frame Solid oak, Headboard Cotton webbing / Upholstered



reddot award 2016
winner

Version: 1-8-2021

Basic info

Design Salih Teskeredžić

Mattress size W: 180, D: 200
Product size W: 187, D: 224, H: 92
Packaging W: 240, D: 109, H: 11
Volume (total) 0,29 m³
Net weight 39,6 kg
Gross weight 44,1 kg

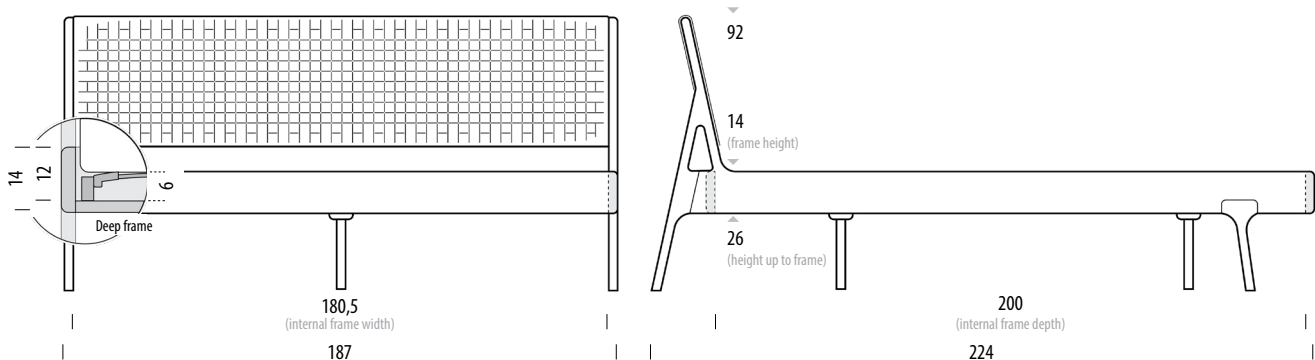


Item no. 02C / 0B1

| Internal space | Width | Depth | Height |
|----------------|-------|-------|--------|
| Frame size | 180,5 | 200 | 12 |
| Mattress size | 180 | 200 | |

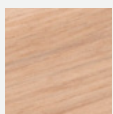
Assembly 30 min / 2 persons

| Frame | Height |
|-------------|--------|
| Up to frame | 26 |
| Deep frame | 14 |



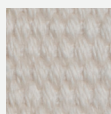
Selected options

Body

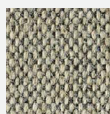


Oiled Oak
1015
White oil

Seat



Cotton webbing
2001
White



Main line flax
MLF02
Archway

Indicated materials and colours are selected by Gazzda as best-selling items. The lead time of selected options is 1-5 weeks. For an accurate lead time, please consult customer service.

For other material options, please see the Available materials section at the end of the product sheet.

Fawn bed UK double size - normal frame

Frame Solid oak, Headboard Cotton webbing



reddot award 2016
winner

Version: 1-8-2021

Basic info

| | |
|-------------------------------------|--------------------------------------|
| Design | Salih Teskeredžić |
| Mattress size (feet/inch) | W: 135, D: 200 W: 4' 5", D: 6' 3" |
| Product size | W: 141,5, D: 214, H: 92 |
| Packaging | W: 109, D: 240, H: 11 |
| Volume (total) | 0,29 m ³ |
| Net weight | 25 kg |
| Gross weight | 30,9 kg |

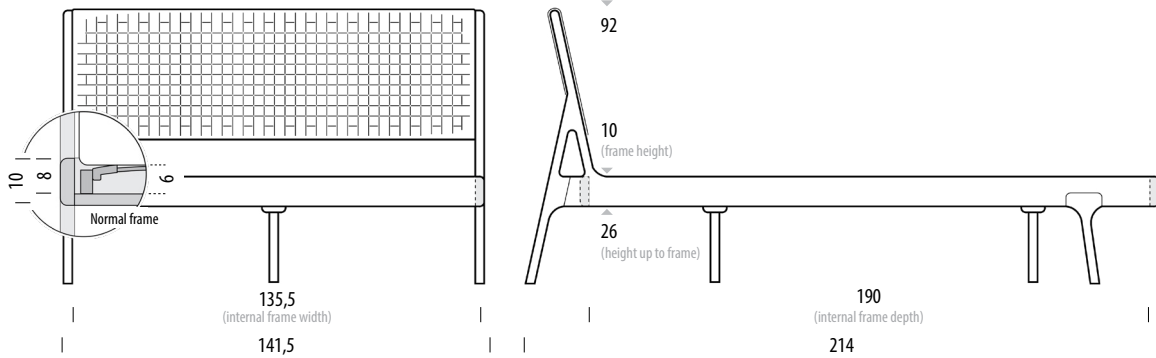


Item no. OBC

| Internal space | Width | Depth | Height |
|----------------|-------|-------|--------|
| Frame size | 135,5 | 190 | 8 |
| Mattress size | 135 | 190 | |

Assembly 30 min / 2 persons

| Frame | Height |
|--------------|--------|
| Up to frame | 26 |
| Normal frame | 10 |



Fawn bed UK king size - normal frame

Frame Solid oak, Headboard Cotton webbing



reddot award 2016
winner

Version: 1-8-2021

Basic info

| | |
|-------------------------------------|---------------------------------------|
| Design | Salih Teskeredžić |
| Mattress size (feet/inch) | W: 150, D: 200 W: 4' 11", D: 6' 7" |
| Product size | W: 156,5, D: 224, H: 92 |
| Packaging | W: 109, D: 240, H: 11 |
| Volume (total) | 0,29 m ³ |
| Net weight | 26,5 kg |
| Gross weight | 32,6 kg |

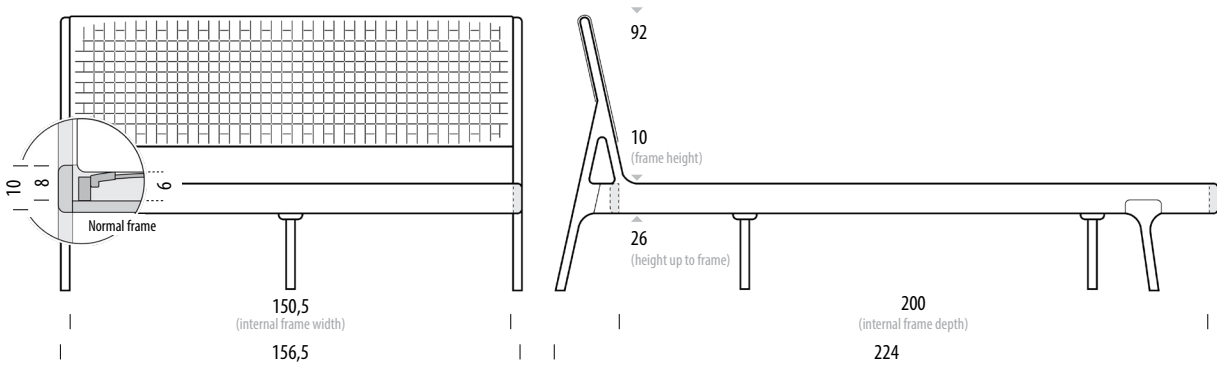


Item no. OBD

| Internal space | Width | Depth | Height |
|----------------|-------|-------|--------|
| Frame size | 150,5 | 200 | 8 |
| Mattress size | 150 | 200 | |

Assembly 30 min / 2 persons

| Frame | Height |
|--------------|--------|
| Up to frame | 26 |
| Normal frame | 10 |



Fawn bed UK super king size - normal frame

Frame Solid oak, Headboard Cotton webbing



reddot award 2016
winner

Version: 1-8-2021

Basic info

| | |
|-------------------------------------|---------------------------------------|
| Design | Salih Teskeredžić |
| Mattress size (feet/inch) | W: 180, D: 200 W: 5' 11", D: 6' 7" |
| Product size | W: 186,5, D: 224, H: 92 |
| Packaging | W: 109, D: 240, H: 11 |
| Volume (total) | 0,29 m ³ |
| Net weight | 31,5 kg |
| Gross weight | 37,2 kg |

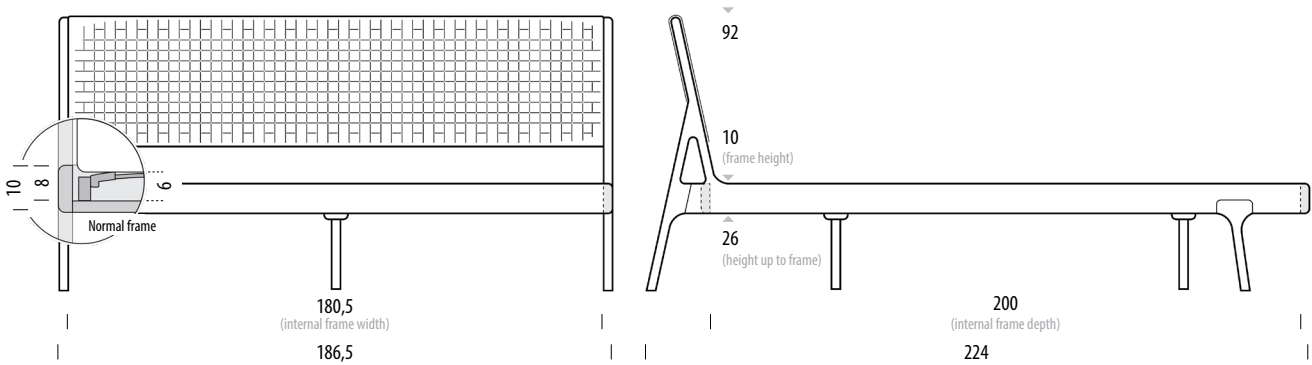


Item no. OBF

| Internal space | Width | Depth | Height |
|----------------|-------|-------|--------|
| Frame size | 180,5 | 200 | 8 |
| Mattress size | 180 | 200 | |

Assembly 30 min / 2 persons

| Frame | Height |
|--------------|--------|
| Up to frame | 26 |
| Normal frame | 10 |



Fawn bed AUS queen size - normal frame

Frame Solid oak, Headboard Cotton webbing / Upholstered



reddot award 2016
winner

Version: 1-8-2021

Basic info

Design Salih Teskeredžić

Mattress size W: 153, D: 203

Product size W: 161, D: 229, H: 92

Packaging W: 109, D: 240, H: 11

Volume (total) 0,29 m³

Net weight 27 kg

Gross weight 33,2 kg

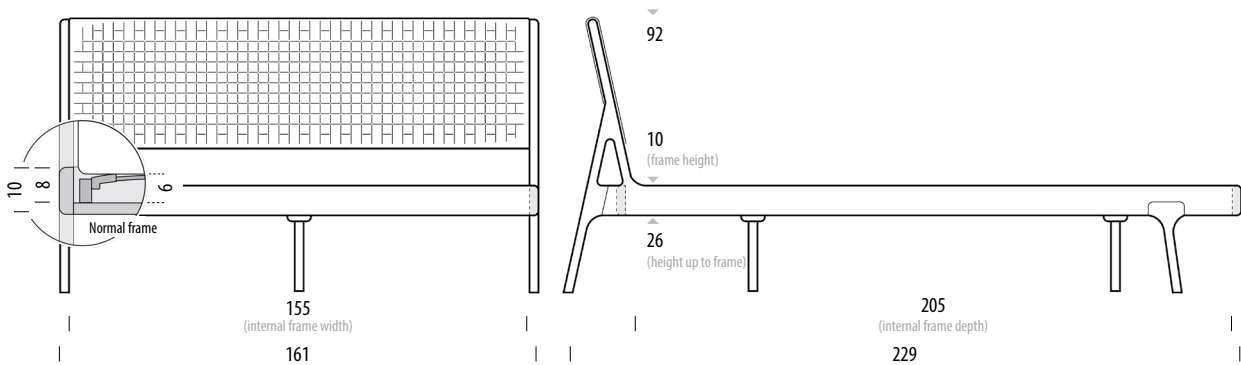


Item no. 027 / OAA

| Internal space | Width | Depth | Height |
|----------------|-------|-------|--------|
| Frame size | 155 | 205 | 8 |
| Mattress size | 153 | 203 | |

Assembly 30 min / 2 persons

| Frame | Height |
|--------------|--------|
| Up to frame | 26 |
| Normal frame | 10 |



Fawn bed AUS king size - normal frame

Frame Solid oak, Headboard Cotton webbing / Upholstered



reddot award 2016
winner

Version: 1-8-2021

Basic info

Design Salih Teskeredžić

Mattress size W: 183, D: 203

Product size W: 191, D: 229, H: 92

Packaging W: 109, D: 240, H: 11

Volume (total) 0,29 m³

Net weight 33 kg

Gross weight 39,2 kg

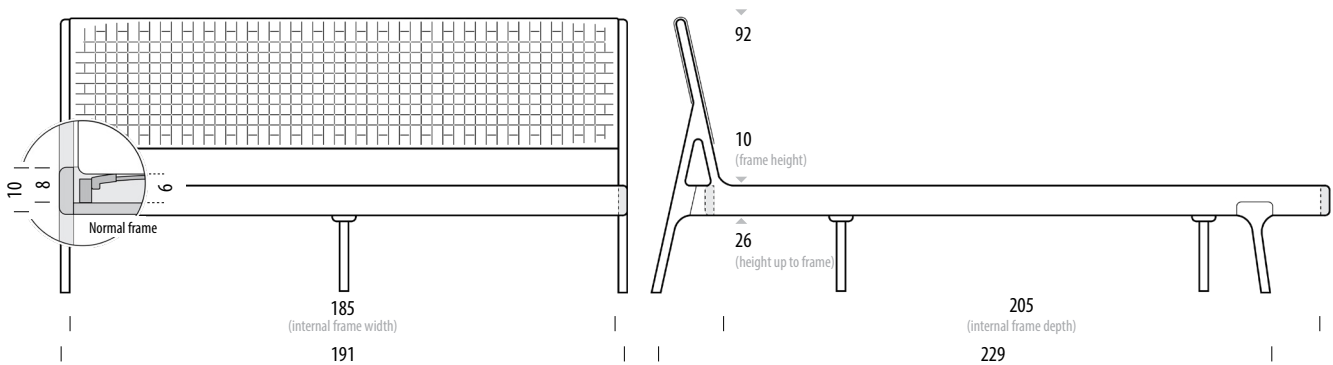


Item no. 028 / OAE

| Internal space | Width | Depth | Height |
|----------------|-------|-------|--------|
| Frame size | 185 | 205 | 8 |
| Mattress size | 183 | 203 | |

Assembly 30 min / 2 persons

| Frame | Height |
|--------------|--------|
| Up to frame | 26 |
| Normal frame | 10 |



Fawn bed US queen size - deep frame

Frame Solid oak, Headboard Cotton webbing / Upholstered



reddot award 2016
winner

Version: 1-8-2021

Basic info

Design Salih Teskeredžić

Mattress size W: 153, D: 203

Product size W: 161, D: 230, H: 92

Packaging W: 109, D: 240, H: 11

Volume (total) 0,29 m³

Net weight 37,0 kg

Gross weight 43,2 kg

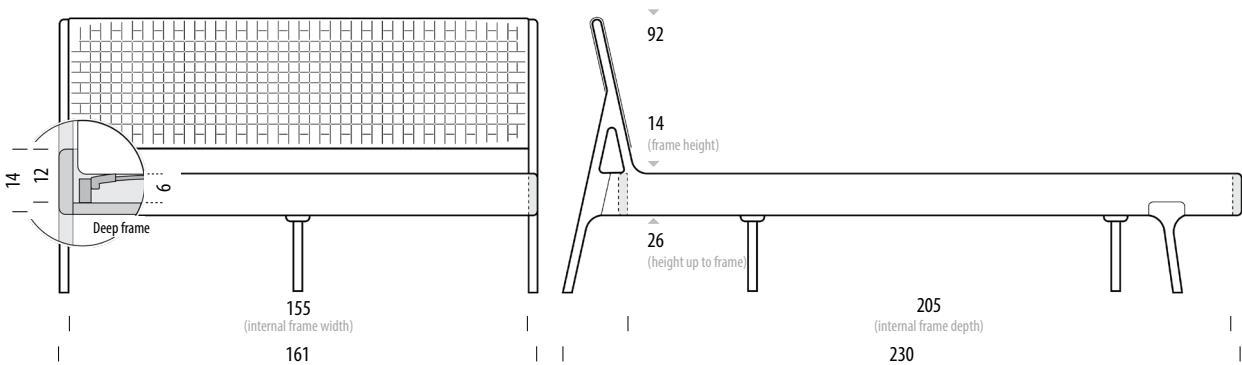


Item no. 167 / 146

| Internal space | Width | Depth | Height |
|----------------|-------|-------|--------|
| Frame size | 155 | 205 | 12 |
| Mattress size | 153 | 203 | |

Assembly 30 min / 2 persons

| Frame | Height |
|-------------|--------|
| Up to frame | 26 |
| Deep frame | 14 |



Fawn bed US king size - deep frame

Frame Solid oak, Headboard Cotton webbing / Upholstered



reddot award 2016
winner

Version: 1-8-2021

Basic info

Design Salih Teskeredžić

Mattress size W: 193, D: 203

Product size W: 201, D: 230, H: 92

Packaging W: 109, D: 240, H: 11

Volume (total) 0,29 m³

Net weight 43,5 kg

Gross weight 49,5 kg

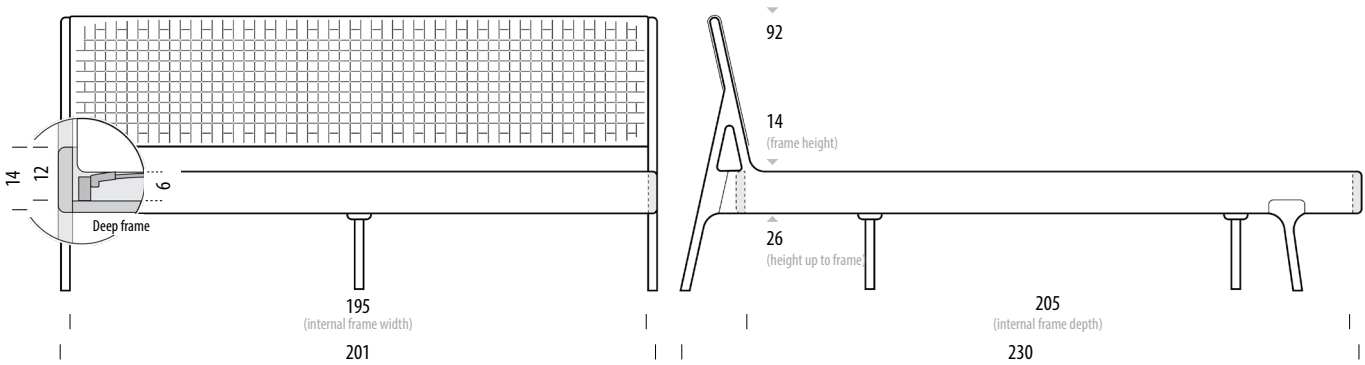


Item no. 166 / 145

| Internal space | Width | Depth | Height |
|----------------|-------|-------|--------|
| Frame size | 195 | 205 | 12 |
| Mattress size | 193 | 203 | |

Assembly 30 min / 2 persons

| Frame | Height |
|-------------|--------|
| Up to frame | 26 |
| Deep frame | 14 |



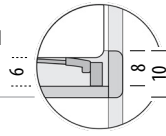
Fawn bed

Possible mattresses and slats combinations

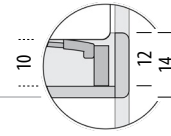
0cm 20 50 100 150 200 250

Scale: 1:40

Normal frame - internal height detail Combinations for 6 cm high slats



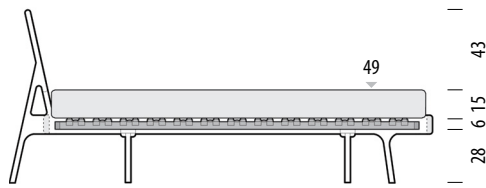
Deep frame - internal height detail Combinations for 10 cm high slats



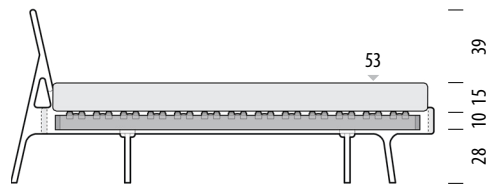
Suitable slats

Basic slats (6 cm high) are the highest slats type that would fit a Fawn bed - normal frame. If you have slats higher than 6 cm please observe only the Fawn bed - deep frame.

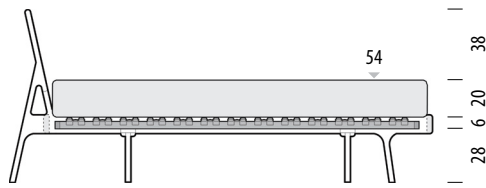
Basic sprung slats (6 cm high) are available on request as a separate product. Mattress not included.



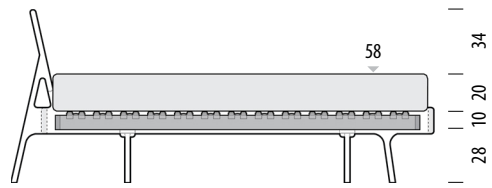
Mattress height 15 cm
Height from the floor 49 cm



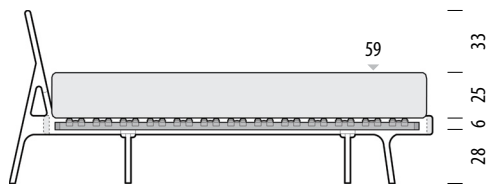
Mattress height 15 cm
Height from the floor 53 cm



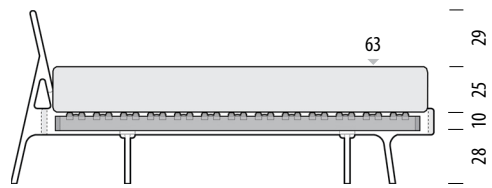
Mattress height 20 cm
Height from the floor 54 cm



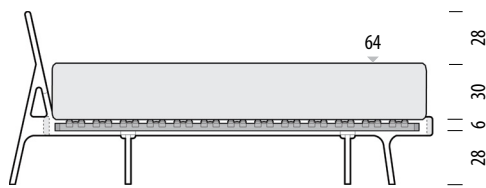
Mattress height 20 cm
Height from the floor 58 cm



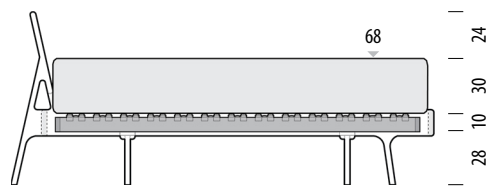
Mattress height 25 cm
Height from the floor 59 cm



Mattress height 25 cm
Height from the floor 63 cm



Mattress height 30 cm
Height from the floor 64 cm



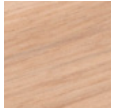
Mattress height 30 cm
Height from the floor 68 cm

Fawn bed

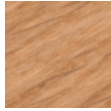
Available materials

Version: 1-8-2021

Frame | Solid oak

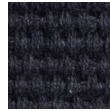


Oiled
1015
White oil



Oiled
1505
Natural oil

Headboard | Cotton webbing



4555
Black



2001
White

Headboard | Leather upholstery

Dakar - by Leder Reinhard



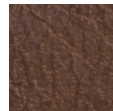
0500
Black



1258
Grey



1436
Stone



2211
Turf-light



2732
Whisky

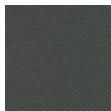


3411
Nature

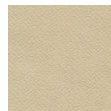
Deca vegan leather - by Camira



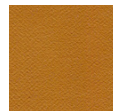
DEC20
Downing



DEC05
Decimal



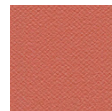
DEC03
Digit



DEC07
Decapod



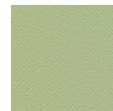
DEC14
Fortune



DEC09
Tien



DEC11
Richter



DEC15
Catenia

Headboard | Fabric upholstery

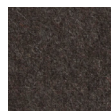
Facet felt - by Textaafoam



1003
Zwart



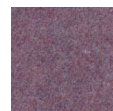
1001
Middengrijs



18
Dark brown



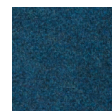
74
Aubergine



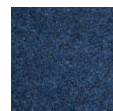
73
Pink



41
Light Blue



56
Petrol



45
Blue



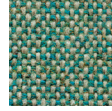
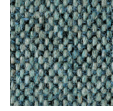
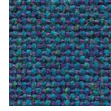
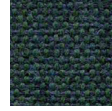
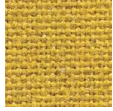
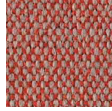
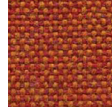
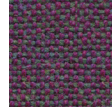
24
Yellow

Fawn bed

Available materials

Version: 1-8-2021

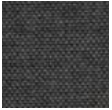
Main line flax - by Camira

MLF16
TempleMLF02
ArchwayMLF10
NewburyMLF24
BayswaterMLF22
WestminsterMLF38
RusselMLF32
GreenfordMLF18
TufnellMLF17
TootingMLF03
BarbicanMLF13
LeytonMLF41
Hillingdon

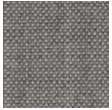
Remix - by Kvadrat



0753



0163



0123



0823



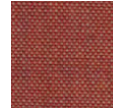
0912



0933



0612

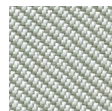
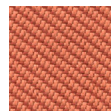


0632

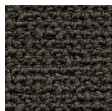
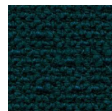
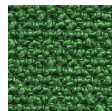
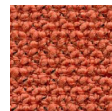
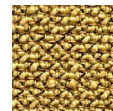


0762

Oceanic - by Camira

OOC01
FlotsamOOC08
BayOOC14
RiptideOOC13
PaddleOOC11
NeptuneOOC05
CoralOOC07
Barrier

Yoredale - by Camira

UDA08
GayleUDA25
LeyburnUDA17
RibbleUDA10
CrayUDA04
HardrawUDA02
KidstoneUDA03
AskriggUDA05
Simonstone

Vidar - by Kvadrat



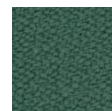
0182



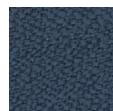
0133



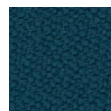
0222



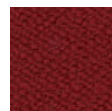
0943



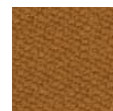
0733



0872



0582



0472