

Nimbus Mirror



Mirror

Accessories—Product Sheet
menu.us

by Krøyer-Sætter-Lassen



Nimbus Mirror

Product Type

Mirror

Production Process

The mirror is made using a long Brass rod with one welding point and the connection is silver welded onto the frame.

Dimensions (cm / in)

Ø: 110 cm / 43,3"

D: 2,1 cm / 0,8"

Weight

27 kg

Materials

Polished Brass w. Lacquer, Mirror and Painted MDF or Bronzed Brass, Mirror and Painted MDF.

Colours

Polished Brass

Bronzed Brass

Packaging Type

Brown Box

Packaging Measurement (H*W*D)

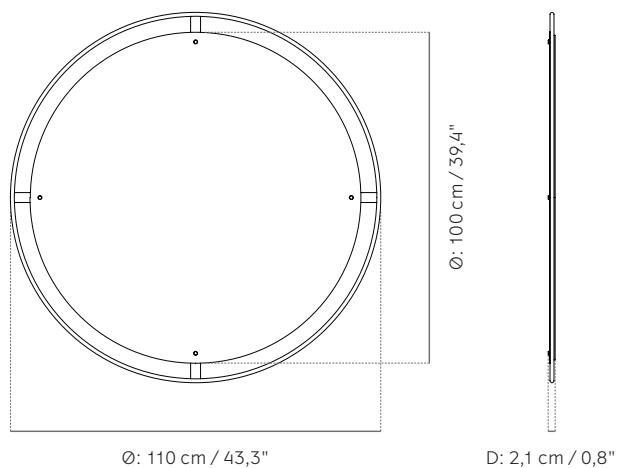
13,5 cm * 127 cm * 127 cm

Care Instructions

Frame: Use a soft dry cloth to clean. Do not use any cleaners with chemicals or harsh abrasives. Avoid using water.

NOTE! The Polished Brass surface have been lacquered, so any polishing will remove the lacquer and open up for natural oxidation.

Mirror: Use a soft cloth with warm water. Dry straight away. For a more efficient clean, use commercial glass cleaners. NB: Spray on cloth and not directly on the mirror.



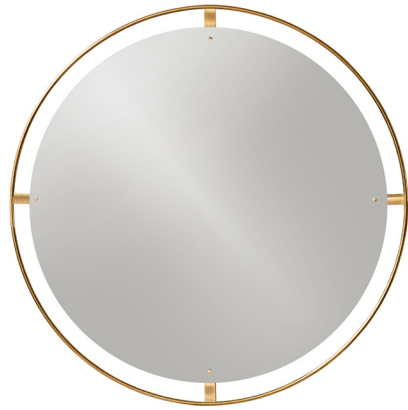
Looking to the way in which a picture or a painting is framed, the Copenhagen-based design studio Krøyer-Sætter-Lassen investigated how an entire frame could surround a mirror without detracting from the beauty and reflection of the glass. The result is Nimbus, a refreshingly simple mirror in bronzed brass and light-reflecting glass which defines a space with its soothing and sophisticated round shape.

A mirror isn't merely purely functional: since ancient times, they have reflected the style of a period—framed by ornate Baroque flourishes or Gothic arches and the simple lines of the Bauhaus movement. MENU's latest iteration takes the fundamentals of the mirror into the modern age, yet with a mythological twist, referenced in its name: in Greek mythology Nimbus was a shining cloud or corona that often surrounded a deity when on Earth. Design studio Krøyer-Sætter-Lassen looked to the way in which a painting or picture is framed to change the overall expression of the artwork. Encompassed by a halo-like bronzed brass ring, held in place by decorative screws, the circular mirror adds to the sense of light and space in a room.

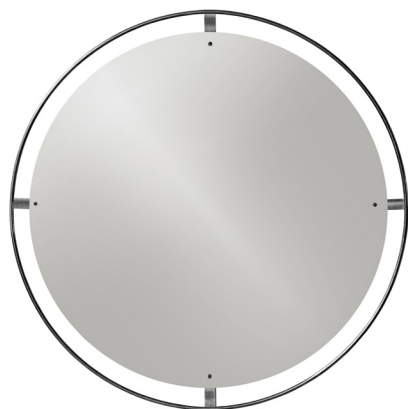
About the Designer

The Copenhagen-based design studio Krøyer-Sætter-Lassen creates furniture and interior objects for clients across the world. Founded in 2016 by Mads Sætter-Lassen and Emil Krøyer, both graduates of the Royal Danish Academy of Fine Arts, School of Design, their honest approach to design results in logical, functional and sculptural objects that showcase their strong cultural understanding and Danish design heritage to bridge the gap between art and design.

Nimbus Mirror



Nimbus Mirror Ø110, Polished Brass
8031839



Nimbus Mirror Ø110, Bronzed Brass
8031859