

# 101

C O P E N H A G E N

## BRUTUS STOOL

Inspired by the Brutalist architecture movement of the mid-20th century, the Brutus collection comprises a dining chair, a lounge chair, a stool, and a coffee table cast in lightweight fiber concrete creating a unique surface texture increasing mobility.

Each piece is hand painted to create a textured, unique surface. Emphasizing the fine balance between sharp architectural lines and a somewhat softer curve in the back and armrest, the Brutus collection is sculptural statement pieces with a compelling seating comfort.

Designed by Kristian Sofus Hansen & Tommy Hyldahl.



Product no: 214012

Type: Stool

Designer / Year of design:  
Kristian Sofus Hansen & Tommy Hyldahl, 2017

Colour: Coffee

Material: Fiber Concrete

Care instructions:

Use a soft dry cloth to clean the product.

Do not use household cleaners.

Not frost-proof

Dimensions: L60 / W30 / H54 CM

Seat height: 46 CM

Weight capacity: 150 Kgs

Country of origin: CN

Product weight: 10,5 Kgs

Packaging:

Dimensions: L69 / W39 / H62 CM

Total weight incl. product: 13,0 Kgs

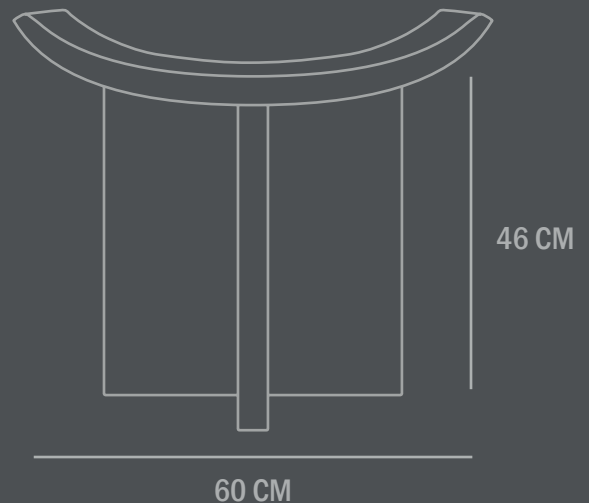
Number of parcels: 1

Material: Brown cardboard



30 CM

54 CM



46 CM

60 CM