



GAZZDA

Hook coat stand

Product sheet

design by
Mustafa Čohadžić



Hook coat stand

Product facts

Materials

Wood	Solid oak
Finish	Hardwax oil
Metal	Powder-coated steel

Technical features

Frame

Hook coat stand's metal frame is made from bent steel rods. It has a powder-coated and fine structure granulated surface finish available in four colours.

Metal knobs

Steel knobs are welded to the frame structure and come in line with the metal frame color.

Wooden knob

The solid oak knob has a metal base in the same powder-coated color as the metal frame. The wooden part has laser engraved branding on the inside and is available in a plant-based Hardwax oil finish (white oil color), which retains the wood's natural state. Hanger bolts needed for assembly are included in the packaging.

Base and post

Wooden base and stand post are made out of solid oak with a woodturning lathe technology. Both have metal inserts needed for assembly. At the bottom of the base, there is a circular rubber seal strip for better grip to the floor surface.

Cleaning

Please see [Product](#) or [Material](#) page on our website.

Notes to consider

Variations

Natural variations in wood color and surface may occur. Regular maintenance will ensure the wood preserves its authentic beauty and can last for generations.

Product changes

Please note that Gazzda reserves the right to alter construction and design without notice.

Dimensions (tolerances)

The dimensions shown are indicative, they may vary due to the natural properties of wood, season, or manufacturing processes. Deviations from the specified size may occur, usually no more than 1 cm.

For all additional inquiries regarding Hook coat stand please feel free to [contact us](#).

Hook coat stand

Metal Powder-coated steel, Wood Solid oak

Basic info

Design Mustafa Čohadžić

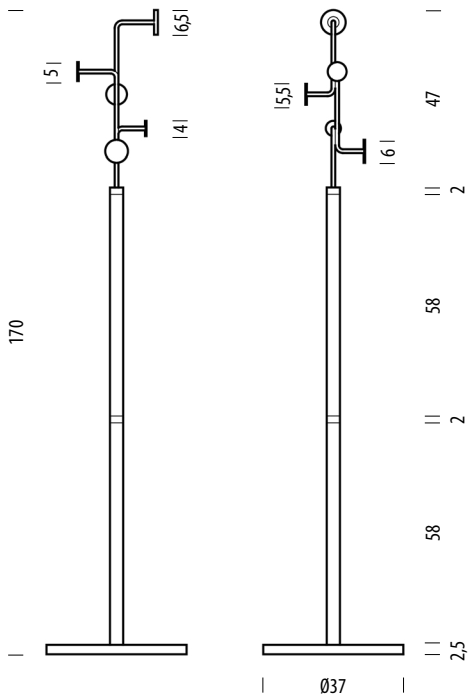
Product size W: Ø37, H: 170

Packaging W: 70, D: 40, H: 17

Volume 0,05 m³

Net weight 4,1 kg

Gross weight 5,5 kg



Item no. 110

Assembly 10 min / 2 persons

Knobs	Width (cm)
Wooden knob	Ø6,5
Metal knobs	Ø6 / Ø5,5 / Ø5 / Ø4

Selected options

Knob



Oiled Oak
1015
White oil

Metal parts



RAL 9016
White



RAL 9005
Black



RAL 3015
Light pink



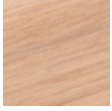
RAL 6027
Light green

Indicated materials and colours are selected by Gazzda as best-selling items. The lead time of selected options is 1-5 weeks. For an accurate lead time, please consult customer service.

Hook coat stand

Available materials

Wooden knob | Solid oak

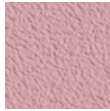


Oiled
1015
White oil

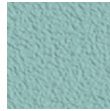
Metal parts | Powder-coated steel



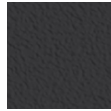
RAL 9016
White



RAL 3015
Light pink



RAL 6027
Light green



RAL 9005
Black